

0CI00-M18500EN

Contents

Fig. No. Fig. Name

719173-51310

1. FUEL INJECTION PUMP(4LHA-DTE,DTZE)
2. GOVERNOR

Fig. No. Fig. Name

Fig.1. FUEL INJECTION PUMP(4LHA-DTE,DTZE)

(A)=719173-51310

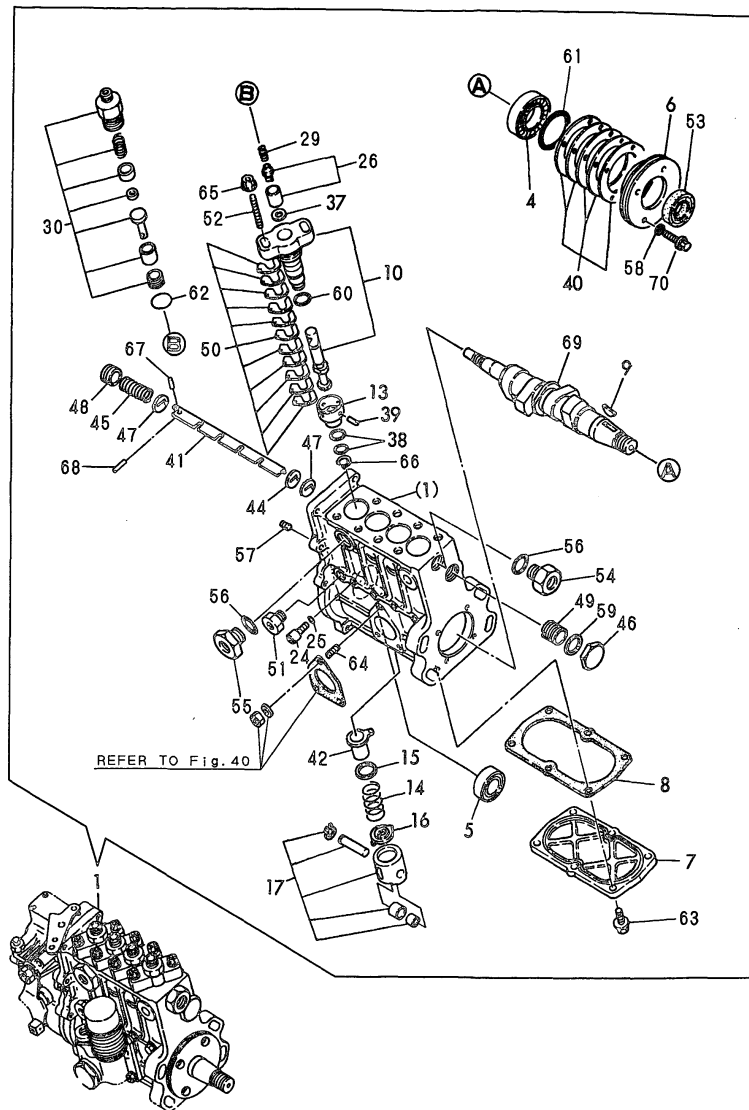
(B)=

(C)=

(D)=

(E)=

(F)=



No.	Lev.	Parts No.	Description	Q'ty						I	R
				(A)	(B)	(C)	(D)	(E)	(F)		
1	1	719173-51310	PUMP ASSY, INJECTION	1							1
4	2	119000-51050	BEARING, HR32005XJ	1							
5	2	122710-51050	BEARING, HR30203J	1							
6	2	119000-51060	SUPPORT, BEARING A	1							
7	2	119100-51081	COVER	1							
8	2	119100-51091	GASKET	1							
9	2	144626-51090	KEY, 5X19	1							
10	2	119593-51100	PLUNGER ASSY	4							
13	2	119000-51151	DEFLECTOR	4							
14	2	119000-51161	SPRING, PLUNGER	4							
15	2	119000-51170	SEAT, SPRING A	4							
16	2	119000-51181	SEAT, SPRING B	4							
17	2	119573-51200	TAPPET ASSY	4							
24	2	129155-51270	STOPPER, TAPPET	4							
25	2	129155-51280	O-RING, S6	4							
26	2	119593-51300	VALVE ASSY, DELIVERY	4							
29	2	119000-51330	SPRING, DELIVERY	4							
30	2	119175-51340	VALVE ASSY, DELIVERY	4							
37	2	122710-51350	GASKET	4							
38	2	119000-51410	O-RING, S18	8							
39	2	119000-51430	PIN	4							
40	2	119000-51450	SHIM SET, CAMSHAFT	1							
41	2	119187-51500	RACK, CONTROL	1							
42	2	119000-51511	SLEEVE, CONTROL	4							
44	2	119593-51520	WASHER	1							
45	2	119593-51530	SPRING, RACK	1							
46	2	119000-51550	COVER	1							
47	2	119000-51570	GUIDE, RACK	2							
48	2	119000-51580	SCREW	1							
49	2	119000-51590	SCREW	1							
50	2	119000-51650	SHIM SET, ADJUSTING	8							
51	2	121850-51700	BUSH	1							
52	2	119000-51800	BOLT	8							
53	2	119000-51900	SEAL, AC1290E0	1							
54	2	121952-51900	PLUG	1							
55	2	121952-51900	PLUG	1							
56	2	144626-51950	O-RING, 1016	2							
57	2	137600-53900	SCREW, M6X6	1							
58	2	22190-060000	WASHER, SEAL 6	4							
59	2	23414-220029	GASKET, 22X1.0	1							
60	2	24341-000260	O-RING, 1AS26.0	4							
61	2	24341-000500	O-RING, 1AS50.0	1							
62	2	24352-010160	O-RING	4							
63	2	26106-060182	BOLT, M6X 18 PLATED	6							
64	2	26216-060162	STUD, M6X 16	3							
65	2	26366-080002	NUT, M8	8							
66	2	22242-000200	RING, 20	4							
67	2	22351-020008	PIN, SPRING 2.0X 8	1							
68	2	22351-020012	PIN, SPRING 2.0X12	1							
69	2	119175-51030	CAMSHAFT	1							
70	2	119175-51070	BOLT, M6X20	4							

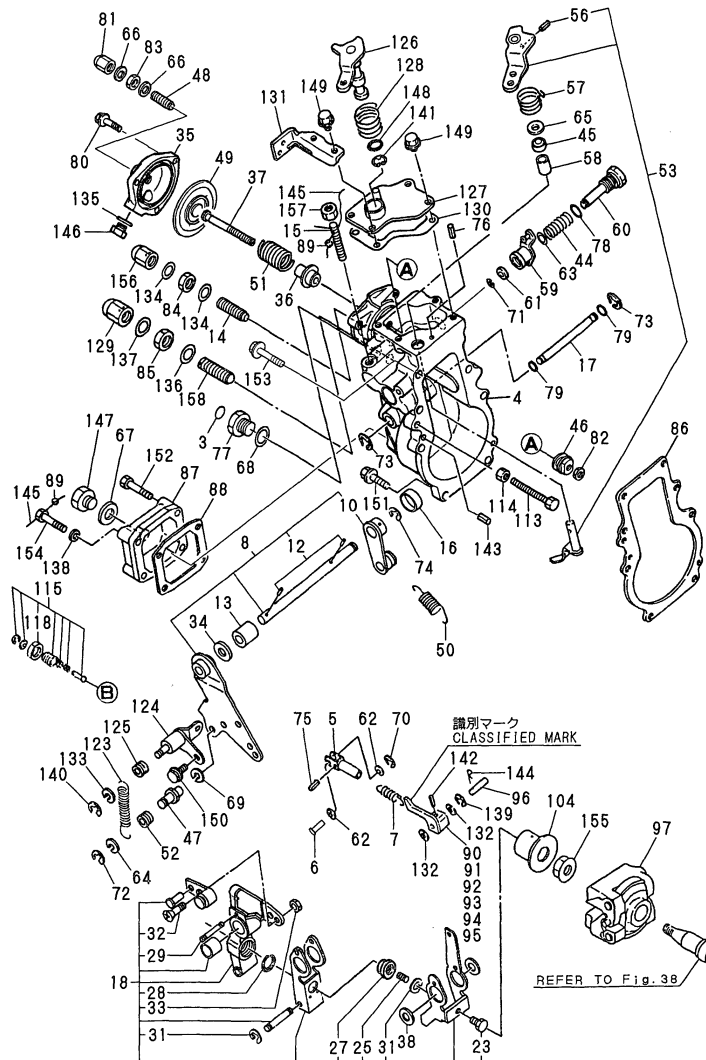
Remarks

(1)GOVERNOR ASSY(FIG 2) IS INCORPORATED IN THIS FUEL INJECTION PUMP ASSY(REF. NO.1)
(A)=4LHA-DTE,4LHA-DTZE.

Fig.2. GOVERNOR

(A)=4LHA-DTE
(B)=4LHA-DTZE
(C)=4LHA-HTE

(D)=4LHA-HTZE
(E)=
(F)=



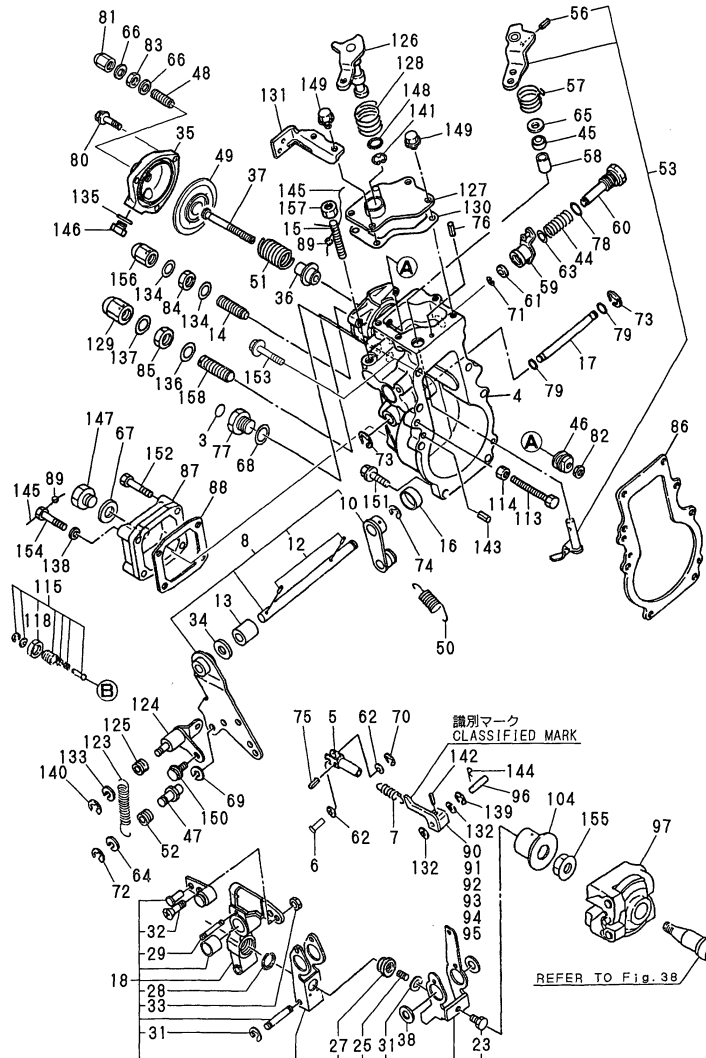
No.	Lev.	Parts No.	Description	Qty						I	R
				(A)	(B)	(C)	(D)	(E)	(F)		
3	3	124610-51970	LABEL	1	1						
4	3	119573-61010	CASE, GOVERNOR	1	1						
5	3	119000-61120	LINK	1	1						
6	3	119595-61170	PIN, LINK	1	1						
7	3	119187-61190	SPRING	1	1						
8	3	119173-61400	LEVER ASSY, CONTROL	1	1						
10	4	120323-61420	LEVER, GOVERNOR	1	1						
12	4	22322-030220	PIN, TAPER 3X22	2	2						
13	3	120323-61430	BUSH	2	2						
14	3	127695-61450	BOLT, CONTROL	1	1						
15	3	121850-61470	BOLT, LIMITER	1	1						
16	3	129795-61470	PLUG, 20	1	1						
17	3	119000-61490	SHAFT	1	1						
18	3	119174-61500	LEVER ASSY, GOVERNOR	1	1						
23	4	127495-61540	SHIFTER	1	1						
25	4	120130-61600	SPRING, FUEL CONTROL	1	1						
27	4	119187-61911	RETAINER, SPRING	1	1						
28	4	119187-61920	CIRCLIP	1	1						
29	4	119187-61930	PIN	1	1						
31	4	22272-000040	RING, E- 4	5	5						
32	4	26577-060162	SCREW, M6X16	1	1						
33	4	26757-060002	NUT, LOCK M6	1	1						
34	3	120320-61540	SEAL, SC102004	1	1						
35	3	129595-61600	CASE	1	1						
36	3	129595-61610	BUSH	1	1						
37	3	129595-61620	ROD, SLIDER	1	1						
38	3	119000-61630	SHIM SET	1	1						
44	3	119593-61650	SPRING	1	1						
45	3	148616-61650	SEAL, VC081404	1	1						
46	3	127495-61660	RING	1	1						
47	3	121850-61670	BOLT	1	1						
48	3	129595-61670	BOLT, ADJUSTER	1	1						
49	3	129595-61680	DIAPHRAGM	1	1						
50	3	119588-61700	SPRING, GOVERNOR	1	1						
51	3	119593-61760	SPRING, DIAPHRAGM	1	1						
52	3	144626-61781	PIECE	1	1						
53	3	119593-61800	LEVER ASSY, STOP	1	1						
56	4	22351-030016	PIN, SPRING 3.0X16	1	1						
57	3	119593-61830	SPRING, RETURN	1	1						
58	3	127695-61840	BUSH	1	1						
59	3	119594-61850	LEVER	1	1						
60	3	119593-61860	SHAFT	1	1						
61	3	119593-61890	SPACER	1	1						
62	3	22117-050000	WASHER, 5	2	2						
63	3	22117-080000	WASHER, 8	1	1						
64	3	22117-080000	WASHER, 8	1	1						
65	3	22137-080000	WASHER, 8	1	1						
66	3	22190-080000	WASHER, SEAL 8	2	2						
67	3	22190-120002	WASHER, SEAL 12	1	1						
68	3	22190-160002	WASHER, SEAL 16	1	1						
69	3	22217-080000	WASHER, SPRING 8	1	1						

Remarks

- (1)PITCH 51
- (2)PITCH 52
- (3)PITCH 53
- (4)PITCH 51.5
- (5)PITCH 52.5
- (6)PITCH 53.5

Fig.2. GOVERNOR

(A)=4LHA-DTE
 (B)=4LHA-DTZE
 (C)=4LHA-HTE
 (D)=4LHA-HTZE
 (E)=
 (F)=



No.	Lev.	Parts No.	Description	Qty						I	R
				(A)	(B)	(C)	(D)	(E)	(F)		
70	3	22272-000040	RING, E- 4	1	1						
71	3	22272-000060	RING, E- 6	1	1						
72	3	22272-000060	RING, E- 6	1	1						
73	3	22272-000080	RING, E- 8	2	2						
74	3	22272-000080	RING, E- 8	1	1						
75	3	22351-030016	PIN, SPRING 3.0X16	1	1						
76	3	22492-060362	PIN, B6X36	1	1						
77	3	23887-160002	PLUG, 16	1	1						
78	3	24311-000120	O-RING, 1AP12.0	1	1						
79	3	24341-000080	O-RING, 1AS8.0	2	2						
80	3	26106-060182	BOLT, M6X 18 PLATED	3	3						
81	3	26667-080002	NUT, CAP M8	1	1						
82	3	26756-060002	NUT, LOCK M6	1	1						
83	3	26756-080002	NUT, LOCK M8	1	1						
84	3	26756-080002	NUT, LOCK M8	1	1						
85	3	26777-120002	NUT, LOCK M12	1	1						
86	2	119000-61051	GASKET	1	1						
86-1	2	119000-61052	GASKET	1	1						R
				(A=E/#50507)		(B=*1998.11)					
87	2	119187-61071	COVER, GOVERNOR CASE	1	1						
88	2	127695-61071	GASKET	1	1						
89	2	135210-61090	LEAD	3	3						
90	2	119593-61100	LINK	1	1						1
91	2	119593-61110	LINK	1	1						2
92	2	119593-61120	LINK	1	1						3
93	2	119593-61130	LINK, 10.5	1	1						4
94	2	119593-61140	LINK, 11.5	1	1						5
95	2	119593-61150	LINK, 12.5	1	1						6
96	2	119000-61180	PIN, LINK	1	1						
97	2	119173-61200	WEIGHT ASSY,GOVERNOR	1	1						
104	2	119187-61300	SLEEVE ASSY	1	1						
113	2	171353-61460	BOLT, IDLE	1	1						
114	2	119000-61470	NUT, M6	1	1						
115	2	119174-61550	ANGLEICH ASSY	1	1						
118	3	124616-61580	NUT, LOCK	1	1						
123	2	119173-61651	SPRING	1	1						
124	2	119173-61660	SUPPORT, SPRING	1	1						
125	2	144626-61781	PIECE	1	1						
126	2	119593-61900	LEVER	1	1						
127	2	119593-61910	COVER	1	1						
128	2	119593-61920	SPRING, RETURN	1	1						
129	2	129100-61930	NUT, CAP	1	1						
130	2	127695-61961	GASKET	1	1						
131	2	119593-61990	SUPPORT, WIRE	1	1						
132	2	22117-050000	WASHER, 5	2	2						
133	2	22117-080000	WASHER, 8	1	1						
134	2	22190-080002	WASHER, SEAL 6	2	2						
135	2	22190-100002	WASHER, SEAL 10	1	1						
136	2	22190-120002	WASHER, SEAL 12	1	1						
137	2	22190-120002	WASHER, SEAL 12	1	1						
138	2	22217-060000	WASHER, SPRING 6	1	1						

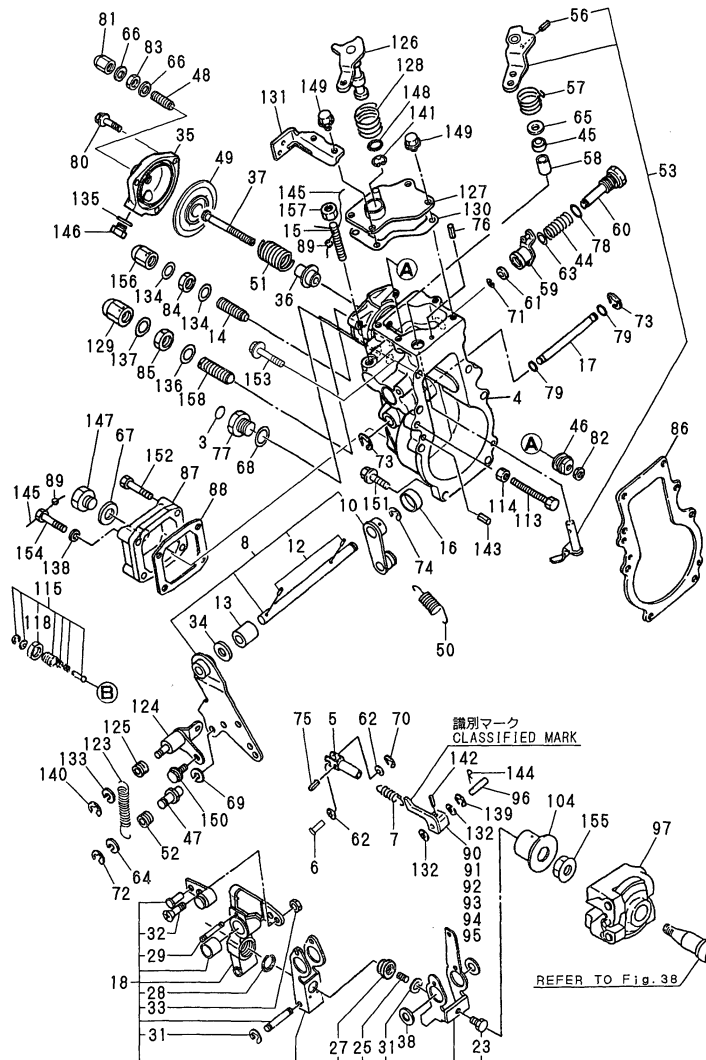
Remarks

- (1)PITCH 51
- (2)PITCH 52
- (3)PITCH 53
- (4)PITCH 51.5
- (5)PITCH 52.5
- (6)PITCH 53.5

Fig.2. GOVERNOR

(A)=4LHA-DTE
(B)=4LHA-DTZE
(C)=4LHA-HTE

(D)=4LHA-HTZE
(E)=
(F)=



No.	Lev.	Parts No.	Description	Q'ty						I	R
				(A)	(B)	(C)	(D)	(E)	(F)		
139	2	22272-000040	RING, E- 4	1	1						
140	2	22272-000060	RING, E- 6	1	1						
141	2	22272-000100	RING, E-10	1	1						
142	2	22351-030025	PIN, SPRING 3.0X25	1	1						
143	2	22351-050020	PIN, SPRING 5.0X20	2	2						
144	2	22372-050000	PIN, SNAP 5	1	1						
145	2	22453-060000	WIRE, 0.6	3	3						
146	2	23887-100002	PLUG, 10	1	1						
147	2	23887-120002	PLUG, 12	1	1						
148	2	24311-000110	O-RING, 1AP11.0	1	1						
149	2	26106-060122	BOLT, M6X 12 PLATED	4	4						
150	2	26106-060122	BOLT, M6X 12 PLATED	1	1						
151	2	26106-060222	BOLT, M6X 22 PLATED	6	6						
152	2	26106-060302	BOLT, M6X 30 PLATED	3	3						
153	2	26106-060402	BOLT, M6X 40 PLATED	1	1						
154	2	26116-060302	BOLT, M6X 30 PLATED	1	1						
154-1	2	26116-060306	BOLT, M6X 30 PLATED	1	1						N
155	2	26376-120002	NUT, M12	1	1						
156	2	26667-080002	NUT, CAP M8	1	1						
157	2	26756-080002	NUT, LOCK M8	1	1						
158	2	26911-080402	SCREW, M8X40	1	1						

- Remarks
 (1)PITCH 51
 (2)PITCH 52
 (3)PITCH 53
 (4)PITCH 51.5
 (5)PITCH 52.5
 (6)PITCH 53.5

Parts No. Index

Parts No.	Fig. No.	Ref. No.
119000-51050	1	4
119000-51060	1	6
119000-51151	1	13
119000-51161	1	14
119000-51170	1	15
119000-51181	1	16
119000-51330	1	29
119000-51410	1	38
119000-51430	1	39
119000-51450	1	40
119000-51511	1	42
119000-51550	1	46
119000-51570	1	47
119000-51580	1	48
119000-51590	1	49
119000-51650	1	50
119000-51800	1	52
119000-51900	1	53
119000-61051	2	86
119000-61052	2	86 -1
119000-61120	2	5
119000-61180	2	96
119000-61470	2	114
119000-61490	2	17
119000-61630	2	38
119100-51081	1	7
119100-51091	1	8
119173-61200	2	97
119173-61400	2	8
119173-61651	2	123
119173-61660	2	124
119174-61500	2	18
119174-61550	2	115
119175-51030	1	69
119175-51070	1	70
119175-51340	1	30
119187-51500	1	41
119187-61071	2	87
119187-61190	2	7
119187-61300	2	104
119187-61911	2	27
119187-61920	2	28
119187-61930	2	29
119573-51200	1	17
119573-61010	2	4
119588-61700	2	50
119593-51100	1	10
119593-51300	1	26
119593-51520	1	44
119593-51530	1	45

Parts No.	Fig. No.	Ref. No.
119593-61100	2	90
119593-61110	2	91
119593-61120	2	92
119593-61130	2	93
119593-61140	2	94
119593-61150	2	95
119593-61650	2	44
119593-61760	2	51
119593-61800	2	53
119593-61830	2	57
119593-61860	2	60
119593-61890	2	61
119593-61900	2	126
119593-61910	2	127
119593-61920	2	128
119593-61990	2	131
119594-61850	2	59
119595-61170	2	6
120130-61600	2	25
120320-61540	2	34
120323-61420	2	10
120323-61430	2	13
121850-51700	1	51
121850-61470	2	15
121850-61670	2	47
121952-51900	1	54
		55
122710-51050	1	5
122710-51350	1	37
124610-51970	2	3
124616-61580	2	118
127495-61540	2	23
127495-61660	2	46
127695-61071	2	88
127695-61450	2	14
127695-61840	2	58
127695-61961	2	130
129100-61930	2	129
129155-51270	1	24
129155-51280	1	25
129595-61600	2	35
129595-61610	2	36
129595-61620	2	37
129595-61670	2	48
129595-61680	2	49
129795-61470	2	16
135210-61090	2	89
137600-53900	1	57
144626-51090	1	9
144626-51950	1	56

Parts No.	Fig. No.	Ref. No.
144626-61781	2	52
		125
148616-61650	2	45
171353-61460	2	113
22117-050000	2	62
		132
22117-080000	2	63
		64
		133
22137-080000	2	65
22190-060000	1	58
22190-080000	2	66
22190-080002	2	134
22190-100002	2	135
22190-120002	2	67
		136
		137
22190-160002	2	68
22217-060000	2	138
22217-080000	2	69
22242-000200	1	66
22272-000040	2	31
		70
		139
22272-000060	2	71
		72
		140
22272-000080	2	73
		74
22272-000100	2	141
22322-030220	2	12
22351-020008	1	67
22351-020012	1	68
22351-030016	2	56
		75
22351-030025	2	142
22351-050020	2	143
22372-050000	2	144
22453-060000	2	145
22492-060362	2	76
23414-220029	1	59
23887-100002	2	146
23887-120002	2	147
23887-160002	2	77
24311-000110	2	148
24311-000120	2	78
24341-000080	2	79
24341-000260	1	60
24341-000500	1	61
24352-010160	1	62

Parts No.	Fig. No.	Ref. No.
26106-060122	2	149
		150
26106-060182	1	63
	2	80
26106-060222	2	151
26106-060302	2	152
26106-060402	2	153
26116-060302	2	154
26116-060306	2	154 -1
26216-060162	1	64
26366-080002	1	65
26376-120002	2	155
26577-060162	2	32
26667-080002	2	81
		156
26756-060002	2	82
26756-080002	2	83
		84
		157
26757-060002	2	33
26777-120002	2	85
26911-080402	2	158
719173-51310	1	1