

0CI00-M20600EN

Contents

Fig. No. Fig. Name

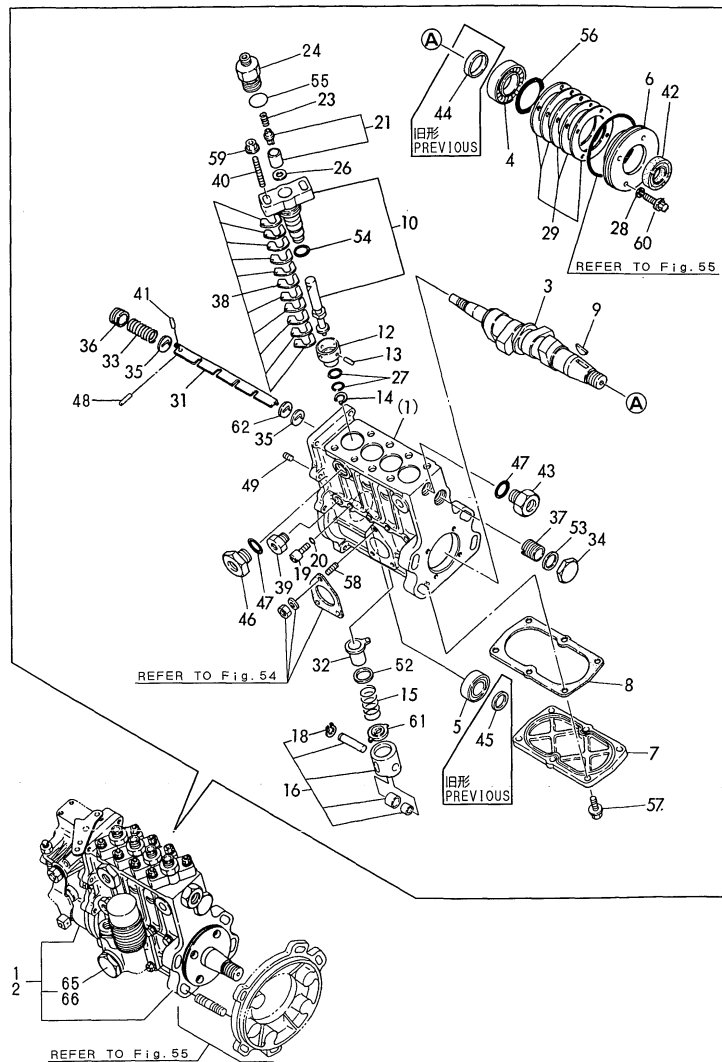
719173-51300

719175-51300

1. FUEL INJECTION PUMP(4LH-DTE,ST
2. GOVERNOR(4LH-DTE,PREVIOUS)
3. GOVERNOR(4LH-DTE,NEW)
4. GOVERNOR(4LH-STE)

Fig. No. Fig. Name

Fig.1. FUEL INJECTION PUMP(4LH-DTE,ST



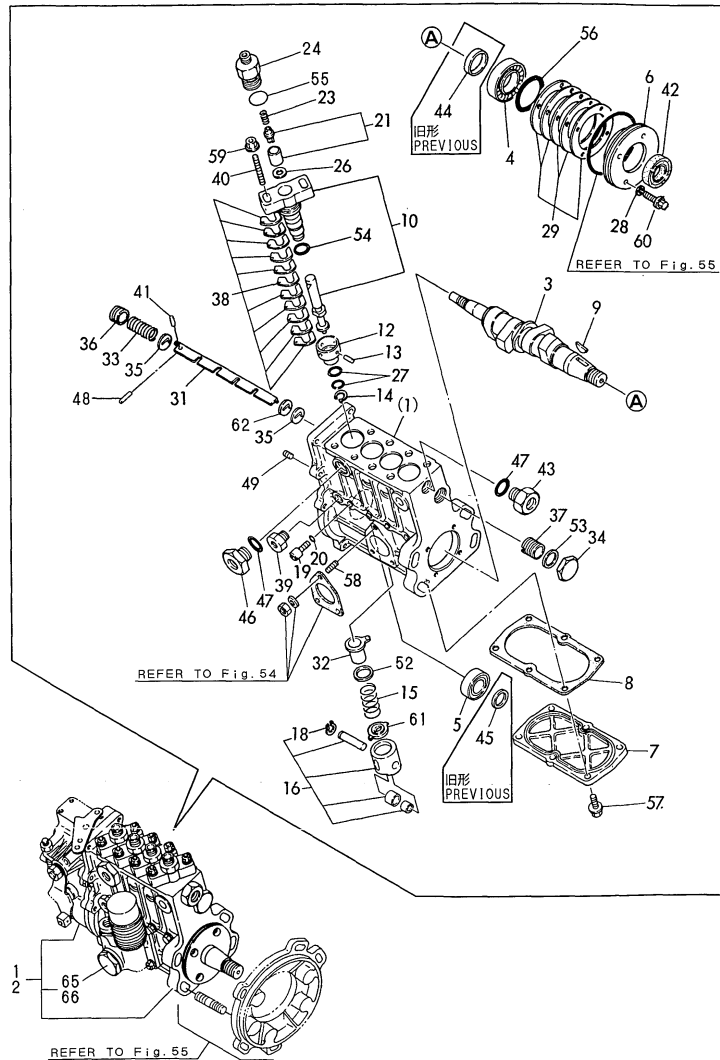
Remarks
 (1)GOVERNER ASSY IS INCORPORATED IN THIS FUEL INJECTION PUMP ASSY
 (2)INTERCHANGEABLE BY SIMULTANEOUS REPLACEMENT WITH NO.14.
 (A)=4LH-DTE.
 (B)=4LH-STE.

(A)=719173-51300
 (B)=719175-51300
 (C)=

(D)=
 (E)=
 (F)=

No.	Lev.	Parts No.	Description	Qty						I	R
				(A)	(B)	(C)	(D)	(E)	(F)		
1	1	719173-51300	PUMP ASSY, INJECTION	1							1
2	1	719175-51300	PUMP ASSY, INJECTION		1						W 1
				(D=FROM 1ST)							
3	2	119187-51030	CAMSHAFT	1							
3-1	2	119175-51030	CAMSHAFT	1							R
				(C=E/#23724)							
3A	2	119175-51030	CAMSHAFT		1						
4	2	119000-51050	BEARING, HR32005XJ	1	1						
5	2	122710-51050	BEARING, HR30203J	1	1						
6	2	119000-51060	SUPPORT, BEARING A	1	1						
7	2	119100-51080	COVER	1							
7-1	2	119100-51081	COVER	1	1						N
				(C=*1990.08)							
8	2	119100-51090	GASKET	1							
8-1	2	119100-51091	GASKET	1	1						N
				(C=*1990.08)							
9	2	144626-51090	KEY, 5X19	1	1						
10	2	119100-51101	PLUNGER ASSY	4							
10A	2	119593-51100	PLUNGER ASSY		4						
12	3	119000-51150	DEFLECTOR	4							
12-1	3	119000-51151	DEFLECTOR	4	4						F 2
				(C=*1989.12)							
13	3	119000-51430	PIN	4	4						
14	3	22242-000200	RING, 20	4	4						W
				(C=*1989.12)							
15	2	119000-51161	SPRING, PLUNGER	4	4						
16	2	119000-51201	TAPPET ASSY	4							
16A	2	119573-51200	TAPPET ASSY		4						
18	3	119000-51250	CIRCLIP	4	4						
19	2	129155-51270	STOPPER, TAPPET	4	4						
20	2	129155-51280	O-RING, S6	4	4						
21	2	128400-51300	VALVE ASSY, DELIVERY	4							
21A	2	119593-51300	VALVE ASSY, DELIVERY		4						
23	2	119000-51330	SPRING, DELIVERY	4	4						
24	2	119187-51341	HOLDER, DELY. VALVE	4							
24A	2	119175-51340	VALVE ASSY, DELIVERY		4						
26	2	122710-51350	GASKET	4	4						
27	2	119000-51410	O-RING, S18	8	8						
28	2	22190-060000	WASHER, SEAL 6	4	4						
29	2	119000-51450	SHIM SET, CAMSHAFT	1	1						
31	2	119100-51500	RACK, CONTROL	1	1						
31-1	2	119187-51500	RACK, CONTROL	1							N
				(C=*1991.07)							
32	2	119000-51510	SLEEVE, CONTROL	4	4						
32-1	2	119000-51511	SLEEVE, CONTROL	4	4						R
				(C=E/#24300) (D=E/#52232)							
33	2	119000-51530	SPRING, RACK	1							
33A	2	119593-51530	SPRING, RACK		1						
34	2	119000-51550	COVER	1	1						
35	2	119000-51570	GUIDE, RACK	2	2						
36	2	119000-51580	SCREW	1	1						

Fig.1. FUEL INJECTION PUMP(4LH-DTE,ST



Remarks

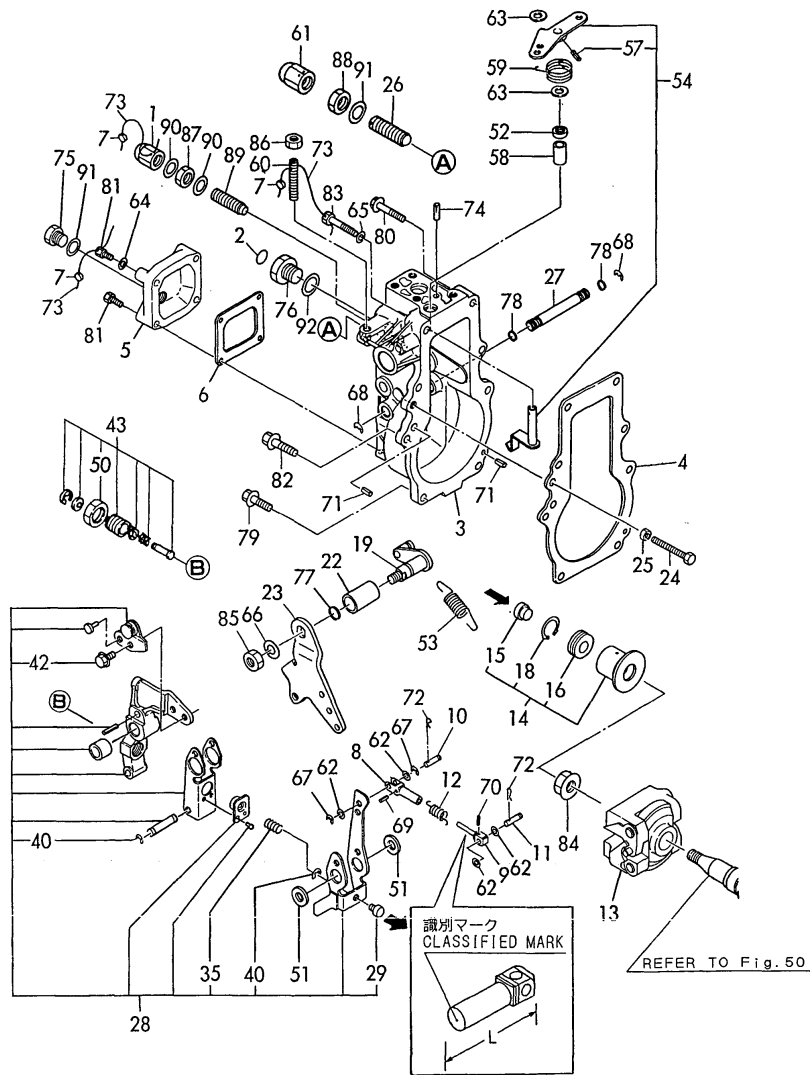
- (1)GOVERNER ASSY IS INCORPORATED IN THIS FUEL INJECTION PUMP ASSY
- (2)INTERCHANGEABLE BY SIMULTANEOUS REPLACEMENT WITH NO.14.
- (A)=4LH-DTE.
- (B)=4LH-STE.

(A)=719173-51300
(B)=719175-51300
(C)=

(D)=
(E)=
(F)=

No.	Lev.	Parts No.	Description	Q'ty						I	R
				(A)	(B)	(C)	(D)	(E)	(F)		
37	2	119000-51590	SCREW	1	1						
38	2	119000-51650	SHIM SET, ADJUSTING	8	8						
39	2	121850-51700	BUSH	1	1						
40	2	119000-51800	BOLT	8	8						
41	2	22351-020008	PIN, SPRING 2.0X 8 (C=*1991.06)	1							W
42	2	119000-51900	SEAL, AC1290E0	1	1						
43	2	121952-51900	PLUG	1	1						
44	2	119000-51911	SPACER, CAMSHAFT (C=E/#XXX)	1							Z
45	2	122710-51920	SPACER (C=E/#XXX)	1							Z
46	2	144626-51940	PLUG	1							
46A	2	121952-51900	PLUG		1						
47	2	144626-51950	O-RING, 1016	2	2						
48	2	22351-020012	PIN, SPRING 2.0X12 (C=*1991.06)	1							W
49	2	137600-53900	SCREW, M6X6	1	1						
52	2	119000-51170	SEAT, SPRING A	4	4						
53	2	23414-220029	GASKET, 22X1.0	1	1						
54	2	24341-000260	O-RING, 1AS26.0	4	4						
55	2	24352-010160	O-RING	4	4						
56	2	24341-000500	O-RING, 1AS50.0	1	1						
57	2	26106-060182	BOLT, M6X 18 PLATED	6	6						
58	2	26216-060162	STUD, M6X 16	3	3						
59	2	26366-080002	NUT, M8	8	8						
60	2	26106-060202	BOLT, M6X 20 PLATED	4	4						
60-1	2	119175-51070	BOLT, M6X20 (D=E/#51468)		4						N
61	2	119000-51181	SEAT, SPRING B	4	4						
62	2	119593-51520	WASHER (C=*1991.06)	1							W
65	2	119000-52000	PUMP ASSY, FUEL FEED	1							
66	2	119593-52000	PUMP ASSY, FUEL FEED		1						

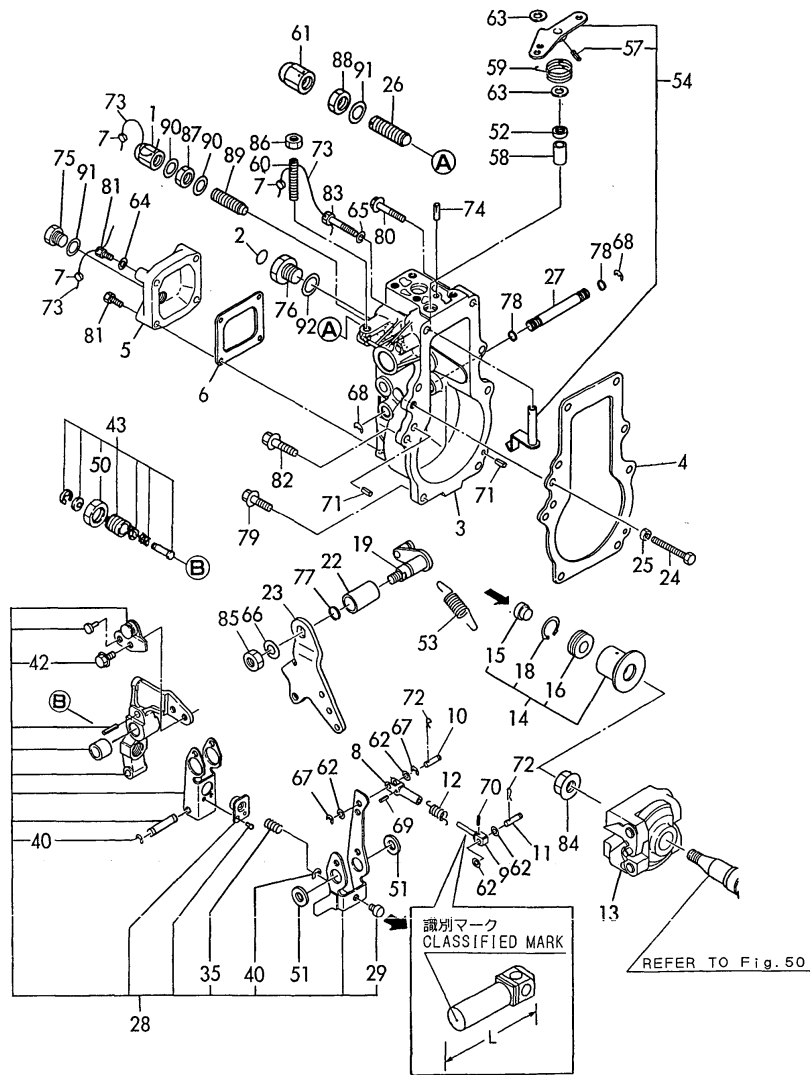
Fig.2. GOVERNOR(4LH-DTE,PREVIOUS)



No.	Lev.	Parts No.	Description	Qty						I	R
				(A)	(B)	(C)	(D)	(E)	(F)		
1	1	152623-51560	NUT			1					
2	1	124610-51970	LABEL			1					
3	1	119000-61011	CASE, GOVERNOR			1					
4	1	119000-61050	GASKET			1					
4-1	1	119000-61051	GASKET			1					N
(C=*1990.09)											
5	1	119187-61071	COVER, GOVERNOR CASE			1					
6	1	120323-61070	GASKET			1					
7	1	135210-61090	LEAD			3					
8	1	119000-61120	LINK			1					
9A	1	119000-61090	LINK, MARK-A L=41			1					1
9B	1	119000-61100	LINK, MARK-B L=43			1					1
9C	1	119000-61110	LINK, MARK-4 L=45			1					1
9D	1	119000-61140	LINK, MARK-1 L=40			1					1
9E	1	119000-61150	LINK, MARK-2 L=42			1					1
9F	1	119000-61160	LINK, MARK-3 L=44			1					1
10	1	119000-61170	PIN, LINK			1					
11	1	119000-61180	PIN, LINK			1					
12	1	119187-61190	SPRING			1					
13	1	119173-61200	WEIGHT ASSY,GOVERNOR			1					
14	1	119187-61300	SLEEVE ASSY			1					
15A	2	119000-61310	SHIFTER			1					2
15B	2	119192-61310	SHIFTER			1					2
15C	2	119192-61320	SHIFTER			1					2
15D	2	119192-61330	SHIFTER			1					
16	2	119000-61320	BEARING, THRUST			1					
18	2	22262-000260	RING, R-26			1					
19	1	119000-61400	SHAFT ASSY			1					
22	1	119000-61430	BUSH			1					
23	1	119187-61440	LEVER, CONTROL			1					
24	1	129470-61450	BOLT, LIMITER			1					
25	1	119000-61470	NUT, M6			1					
26	1	120323-61470	BOLT, CONTROL			1					
27	1	119000-61490	SHAFT			1					
28	1	119187-61500	LEVER ASSY, GOVERNOR			1					
29	2	119187-61310	SHIFTER			1					
35	2	119187-61612	SPRING, FUEL CONTROL			1					
40	2	22272-000040	RING, E- 4			5					
42	2	26106-060122	BOLT, M6X 12 PLATED			1					
43	1	119187-61551	ANGLEICH ASSY			1					
50	2	124616-61580	NUT, LOCK			1					
51	1	119000-61630	SHIM SET			1					
52	1	148616-61650	SEAL, VC081404			1					
53	1	120323-61710	SPRING, GOVERNOR			1					
54	1	119100-61771	LEVER ASSY, STOP			1					
57	2	22351-030016	PIN, SPRING 3.0X16			1					
58	1	119000-61841	BUSH			1					
59	1	119100-61860	SPRING, RETURN			1					
60	1	121855-61910	BOLT, LIMITER			1					
61	1	129100-61930	NUT, CAP			1					
62	1	22117-050000	WASHER, 5			4					

Remarks
 (1)SELECTIVE PARTS : CERTAIN THE CLASSIFICATION MARK, THEN PLACE YOUR ORDER. (ILLUSTRATION)
 (2)SELECTIVE PARTS

Fig.2. GOVERNOR(4LH-DTE,PREVIOUS)



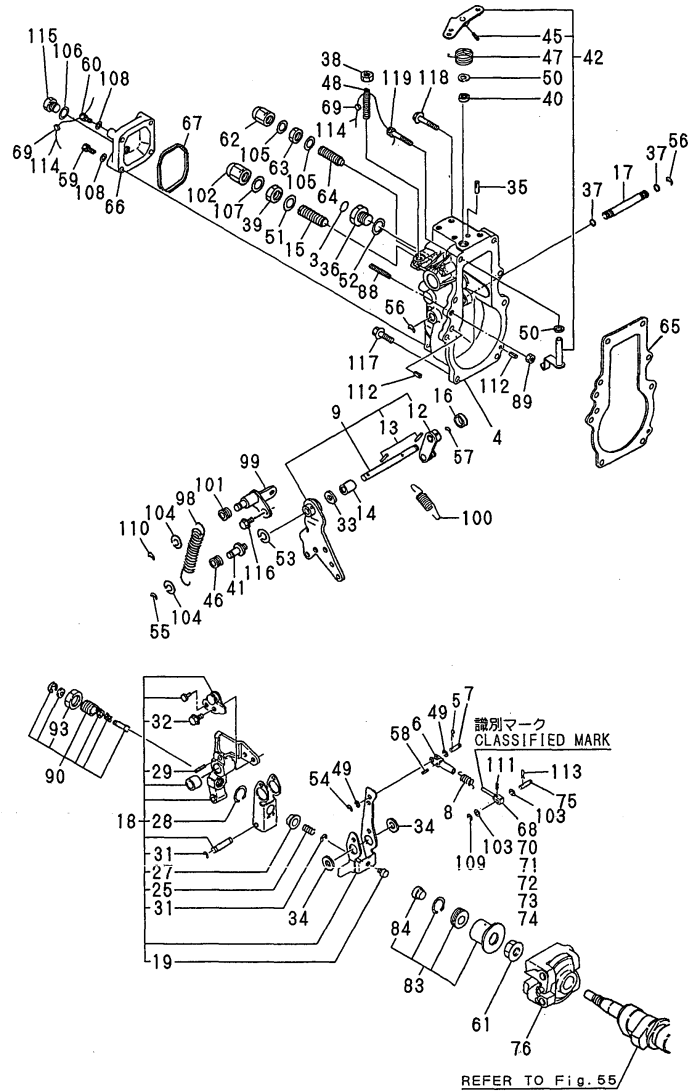
(A)=4LH-TE
 (B)=4LH-HTE
 (C)=4LH-DTE
 (D)=4LH-STE
 (E)=
 (F)=

No.	Lev.	Parts No.	Description	Qty						I	R
				(A)	(B)	(C)	(D)	(E)	(F)		
63	1	22137-080000	WASHER, 8			2					
64	1	22217-050000	WASHER, SPRING 5			1					
65	1	22217-060000	WASHER, SPRING 6			2					
66	1	22217-100000	WASHER, SPRING 10			1					
67	1	22272-000040	RING, E- 4			2					
68	1	22272-000080	RING, E- 8			2					
69	1	22351-030016	PIN, SPRING 3.0X16			1					
70	1	22351-030025	PIN, SPRING 3.0X25			1					
71	1	22351-050020	PIN, SPRING 5.0X20			2					
72	1	22372-050000	PIN, SNAP 5			2					
73	1	22451-100000	WIRE, 1.0			2					
74	1	22492-060362	PIN, B6X36			1					
75	1	23887-120002	PLUG, 12			1					
76	1	23887-160002	PLUG, 16			1					
77	1	24311-000110	O-RING, 1AP11.0			1					
78	1	24341-000080	O-RING, 1AS8.0			2					
79	1	26106-060222	BOLT, M6X 22 PLATED			4					
80	1	26106-060352	BOLT, M6X 35 PLATED			1					
81	1	26116-050302	BOLT, M5X 30 PLATED			4					
82	1	26116-060256	BOLT, M6X 25 PLATED			1					
83	1	26116-060356	BOLT, M6X 35 PLATED			1					
84	1	26376-120002	NUT, M12			1					
85	1	26736-100002	NUT, M10			1					
86	1	26757-080002	NUT, LOCK M8			1					
87	1	26757-080002	NUT, LOCK M8			1					
88	1	26777-120002	NUT, LOCK M12			1					
89	1	26911-080322	SCREW, M8X32			1					
90	1	43400-500420	SEAL WASHER 8			2					
91	1	43400-500450	SEAL WASHER 12S			2					
92	1	43400-500500	SEAL WASHER 16			1					

Remarks
 (1)SELECTIVE PARTS : CERTAIN THE CLASSIFICATION MARK, THEN PLACE YOUR ORDER. (ILLUSTRATION)
 (2)SELECTIVE PARTS

Fig.3. GOVERNOR(4LH-DTE,NEW)

(A)=4LH-TE (D)=4LH-STE
 (B)=4LH-HTE (E)=
 (C)=4LH-DTE (F)=



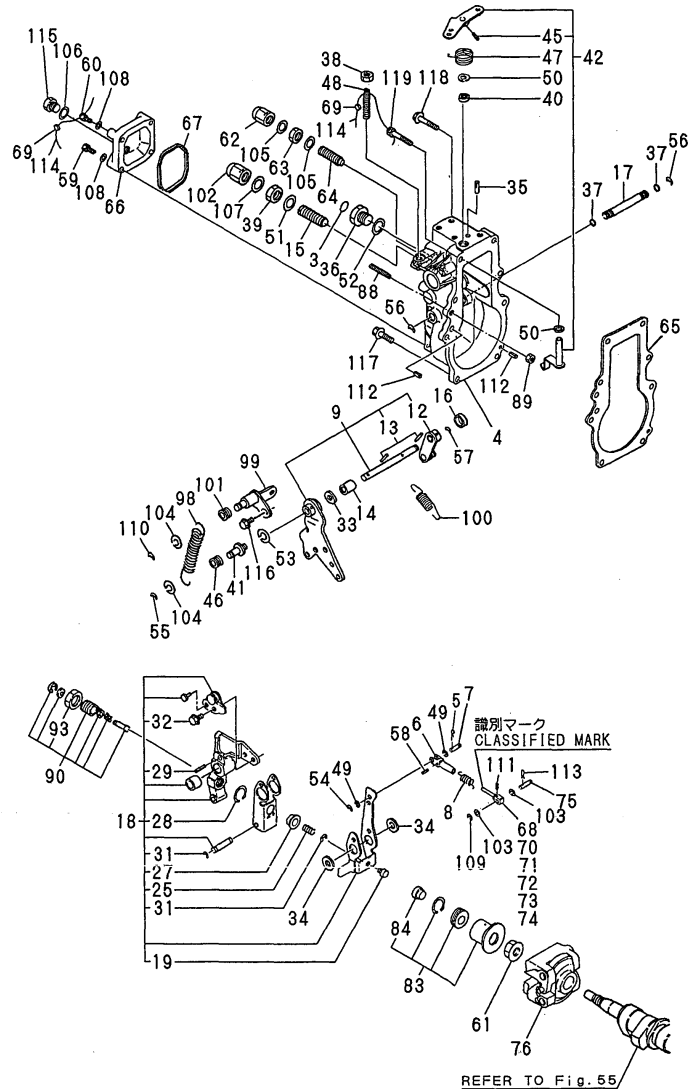
No.	Lev.	Parts No.	Description	Q'ty						I	R
				(A)	(B)	(C)	(D)	(E)	(F)		
3	3	124610-51970	LABEL			1					
4	3	119173-61010	CASE, GOVERNOR			1					
5	3	22417-120120	PIN, COTTER 1.2X12			1					
6	3	119000-61120	LINK			1					
7	3	119000-61170	PIN, LINK			1					
8	3	119187-61190	SPRING			1					
9	3	119173-61400	LEVER ASSY, CONTROL			1					
12	4	119173-61440	LEVER, CONTROL			1					
13	4	22322-030220	PIN, TAPER 3X22			2					
14	3	120323-61430	BUSH			2					
15	3	120323-61470	BOLT, CONTROL			1					
16	3	129795-61470	PLUG, 20			1					
17	3	119000-61490	SHAFT			1					
18	3	119187-61500	LEVER ASSY, GOVERNOR			1					
19	4	119187-61310	SHIFTER			1					
25	4	119187-61612	SPRING, FUEL CONTROL			1					
27	4	119187-61911	RETAINER, SPRING			1					
28	4	119187-61920	CIRCLIP			1					
29	4	119187-61930	PIN			1					
31	4	22272-000040	RING, E- 4			5					
32	4	26106-060122	BOLT, M6X 12 PLATED			1					
33	3	120320-61540	SEAL, SC102004			1					
34	3	119000-61630	SHIM SET			1					
35	3	22492-060362	PIN, B6X36			1					
36	3	23887-160002	PLUG, 16			1					
37	3	24341-000080	O-RING, 1AS8.0			2					
38	3	26756-080002	NUT, LOCK M8			1					
39	3	26777-120002	NUT, LOCK M12			1					
40	3	148616-61650	SEAL, VC081404			1					
41	3	121850-61670	BOLT			1					
42	3	119100-61771	LEVER ASSY, STOP			1					
45	4	22351-030016	PIN, SPRING 3.0X16			1					
46	3	144626-61781	PIECE			1					
47	3	119100-61860	SPRING, RETURN			1					
48	3	121855-61910	BOLT, LIMITER			1					
49	3	22117-050000	WASHER, 5			2					
50	3	22137-080000	WASHER, 8			2					
51	3	22190-120002	WASHER, SEAL 12			2					
52	3	22190-160002	WASHER, SEAL 16			1					
53	3	22217-080000	WASHER, SPRING 8			1					
54	3	22272-000040	RING, E- 4			1					
55	3	22272-000060	RING, E- 6			1					
56	3	22272-000080	RING, E- 8			2					
57	3	22272-000080	RING, E- 8			1					
58	3	22351-030016	PIN, SPRING 3.0X16			1					
59	2	26116-050302	BOLT, M5X 30 PLATED			3					
60	2	26116-050306	BOLT, M5X 30 PLATED			1					
61	2	26376-120002	NUT, M12			1					
62	2	26667-080002	NUT, CAP M8			1					
63	2	26756-080002	NUT, LOCK M8			1					
64	2	26911-080322	SCREW, M8X32			1					

Remarks
 (1)SELECTIVE PARTS : CERTAIN THE CLASSIFICATION MARK , THEN PLACE YOUR ORDER.(REFER TO ILLUSTRATION)
 (2)SELECT PART

Fig.3. GOVERNOR(4LH-DTE,NEW)

(A)=4LH-TE
(B)=4LH-HTE
(C)=4LH-DTE

(D)=4LH-STE
(E)=
(F)=



No.	Lev.	Parts No.	Description	Q'ty						I	R
				(A)	(B)	(C)	(D)	(E)	(F)		
65	2	119000-61052	GASKET			1					
66	2	119187-61071	COVER, GOVERNOR CASE			1					
67	2	120323-61070	GASKET			1					
68	2	119000-61090	LINK, MARK-A L=41			1					1
69	2	135210-61090	LEAD			2					
70	2	119000-61100	LINK, MARK-B L=43			1					1
71	2	119000-61110	LINK, MARK-4 L=45			1					1
72	2	119000-61140	LINK, MARK-1 L=40			1					1
73	2	119000-61150	LINK, MARK-2 L=42			1					1
74	2	119000-61160	LINK, MARK-3 L=44			1					1
75	2	119000-61180	PIN, LINK			1					
76	2	119173-61200	WEIGHT ASSY,GOVERNOR			1					
83	2	119187-61300	SLEEVE ASSY			1					
84	3	119000-61310	SHIFTER			1					2
84A	3	119192-61310	SHIFTER			1					2
84B	3	119593-61310	SHIFTER			1					2
84C	3	119192-61320	SHIFTER			1					2
84D	3	119192-61330	SHIFTER			1					2
88	2	129155-61460	BOLT, IDLE			1					
89	2	119000-61470	NUT, M6			1					
90	2	119187-61551	ANGLEICH ASSY			1					
93	3	124616-61580	NUT, LOCK			1					
98	2	119173-61651	SPRING			1					
99	2	119173-61660	SUPPORT, SPRING			1					
100	2	120323-61710	SPRING, GOVERNOR			1					
101	2	144626-61781	PIECE			1					
102	2	129100-61930	NUT, CAP			1					
103	2	22117-050000	WASHER, 5			2					
104	2	22117-080000	WASHER, 8			2					
105	2	22190-080002	WASHER, SEAL 6			2					
106	2	22190-120002	WASHER, SEAL 12			1					
107	2	22190-120002	WASHER, SEAL 12			1					
108	2	22217-050000	WASHER, SPRING 5			4					
109	2	22272-000040	RING, E- 4			1					
110	2	22272-000060	RING, E- 6			1					
111	2	22351-030025	PIN, SPRING 3.0X25			1					
112	2	22351-050020	PIN, SPRING 5.0X20			2					
113	2	22372-050000	PIN, SNAP 5			1					
114	2	22453-060000	WIRE, 0.6			2					
115	2	23887-120002	PLUG, 12			1					
116	2	26106-060122	BOLT, M6X 12 PLATED			1					
117	2	26106-060222	BOLT, M6X 22 PLATED			6					
118	2	26106-060352	BOLT, M6X 35 PLATED			1					
119	2	26106-060402	BOLT, M6X 40 PLATED			1					

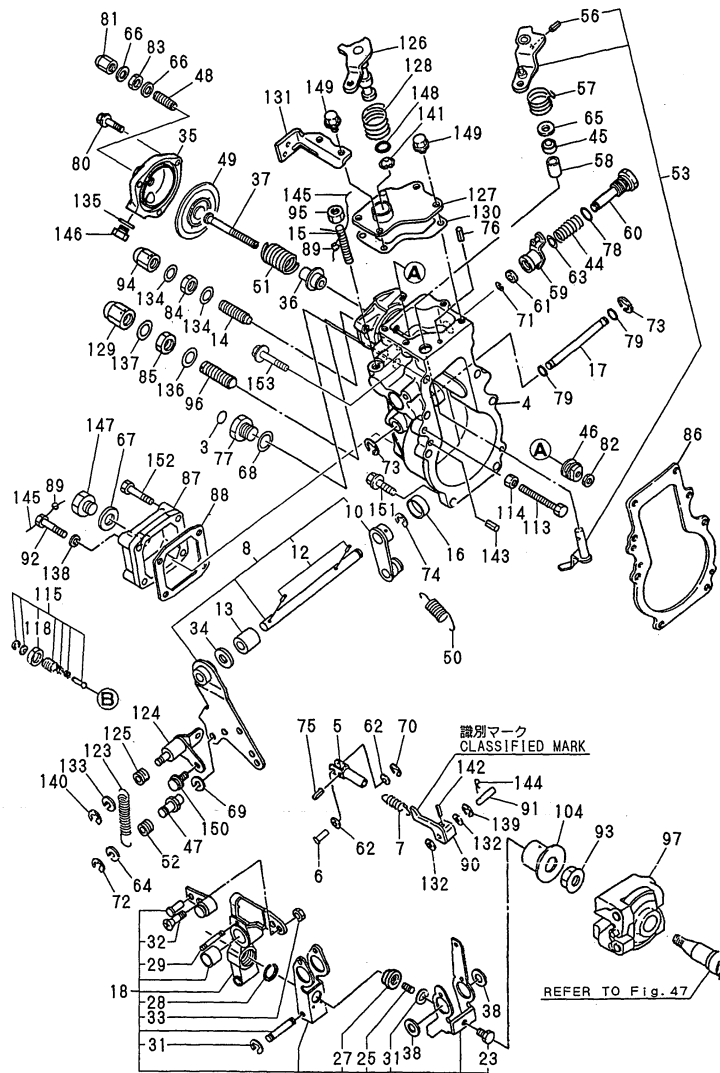
Remarks

(1)SELECTIVE PARTS : CERTAIN THE CLASSIFICATION MARK , THEN PLACE YOUR ORDER.(REFER TO ILLUSTRATION)

(2)SELECT PART

Fig.4. GOVERNOR(4LH-STE)

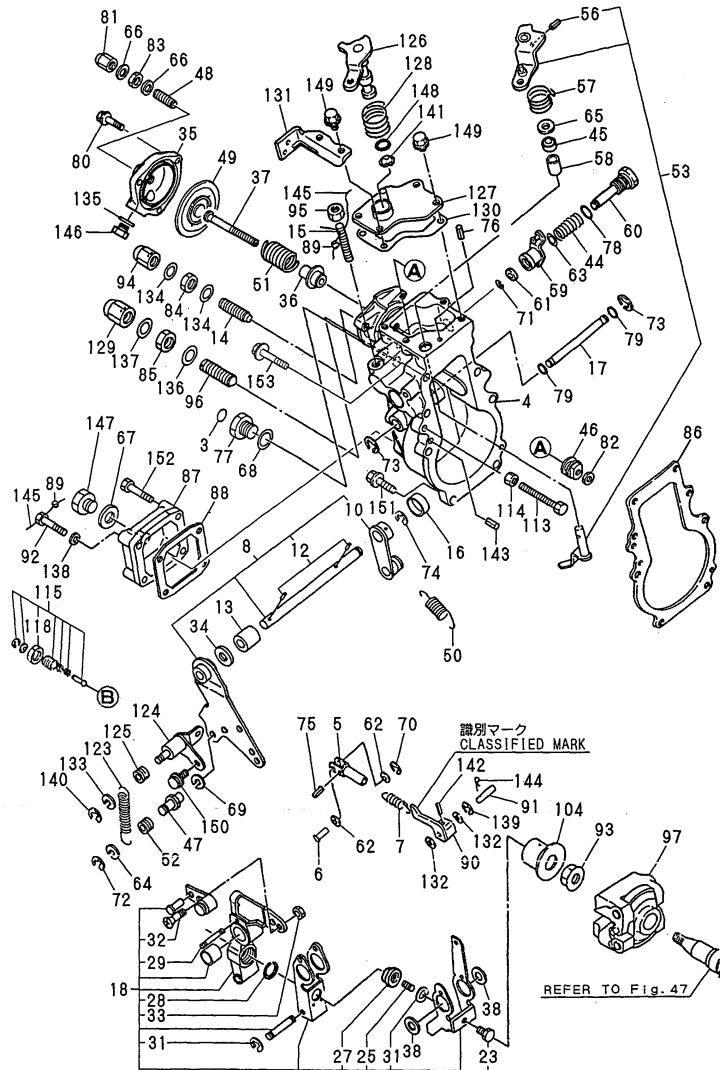
(A)=4LH-TE
 (B)=4LH-HTE
 (C)=4LH-DTE
 (D)=4LH-STE
 (E)=
 (F)=



No.	Lev.	Parts No.	Description	Q'ty						I	R
				(A)	(B)	(C)	(D)	(E)	(F)		
3	3	124610-51970	LABEL				1				
4	3	119573-61010	CASE, GOVERNOR				1				
5	3	119000-61120	LINK				1				
6	3	119595-61170	PIN, LINK				1				
7	3	119187-61190	SPRING				1				
8	3	119173-61400	LEVER ASSY, CONTROL				1				
10	4	120323-61420	LEVER, GOVERNOR				1				
12	4	22322-030220	PIN, TAPER 3X22				2				
13	3	120323-61430	BUSH				2				
14	3	127695-61450	BOLT, CONTROL				1				
15	3	121850-61470	BOLT, LIMITER				1				
16	3	129795-61470	PLUG, 20				1				
17	3	119000-61490	SHAFT				1				
18	3	119174-61500	LEVER ASSY, GOVERNOR				1				
23	4	127495-61540	SHIFTER				1				
25	4	120130-61600	SPRING, FUEL CONTROL				1				
27	4	119187-61911	RETAINER, SPRING				1				
28	4	119187-61920	CIRCLIP				1				
29	4	119187-61930	PIN				1				
31	4	22272-000040	RING, E- 4				5				
32	4	26577-060162	SCREW, M6X16				1				
33	4	26757-060002	NUT, LOCK M6				1				
34	3	120320-61540	SEAL, SC102004				1				
35	3	129595-61600	CASE				1				
36	3	129595-61610	BUSH				1				
37	3	129595-61620	ROD, SLIDER				1				
38	3	119000-61630	SHIM SET				1				
44	3	119593-61650	SPRING				1				
45	3	148616-61650	SEAL, VC081404				1				
46	3	127495-61660	RING				1				
47	3	121850-61670	BOLT				1				
48	3	129595-61670	BOLT, ADJUSTER				1				
49	3	129595-61680	DIAPHRAGM				1				
50	3	119588-61700	SPRING, GOVERNOR				1				
51	3	119593-61760	SPRING, DIAPHRAGM				1				
52	3	144626-61781	PIECE				1				
53	3	119593-61800	LEVER ASSY, STOP				1				
56	4	22351-030016	PIN, SPRING 3.0X16				1				
57	3	119593-61830	SPRING, RETURN				1				
58	3	127695-61840	BUSH				1				
59	3	119594-61850	LEVER				1				
60	3	119593-61860	SHAFT				1				
61	3	119593-61890	SPACER				1				
62	3	22117-050000	WASHER, 5				2				
63	3	22117-080000	WASHER, 8				1				
64	3	22117-080000	WASHER, 8				1				
65	3	22137-080000	WASHER, 8				1				
66	3	22190-080000	WASHER, SEAL 8				2				
67	3	22190-120002	WASHER, SEAL 12				1				
68	3	22190-160002	WASHER, SEAL 16				1				
69	3	22217-080000	WASHER, SPRING 8				1				

Remarks
 (1)PITCH 51
 (2)PITCH 52
 (3)PITCH 53
 (4)PITCH 51.5
 (5)PITCH 52.5
 (6)PITCH 53.5

Fig.4. GOVERNOR(4LH-STE)



Remarks

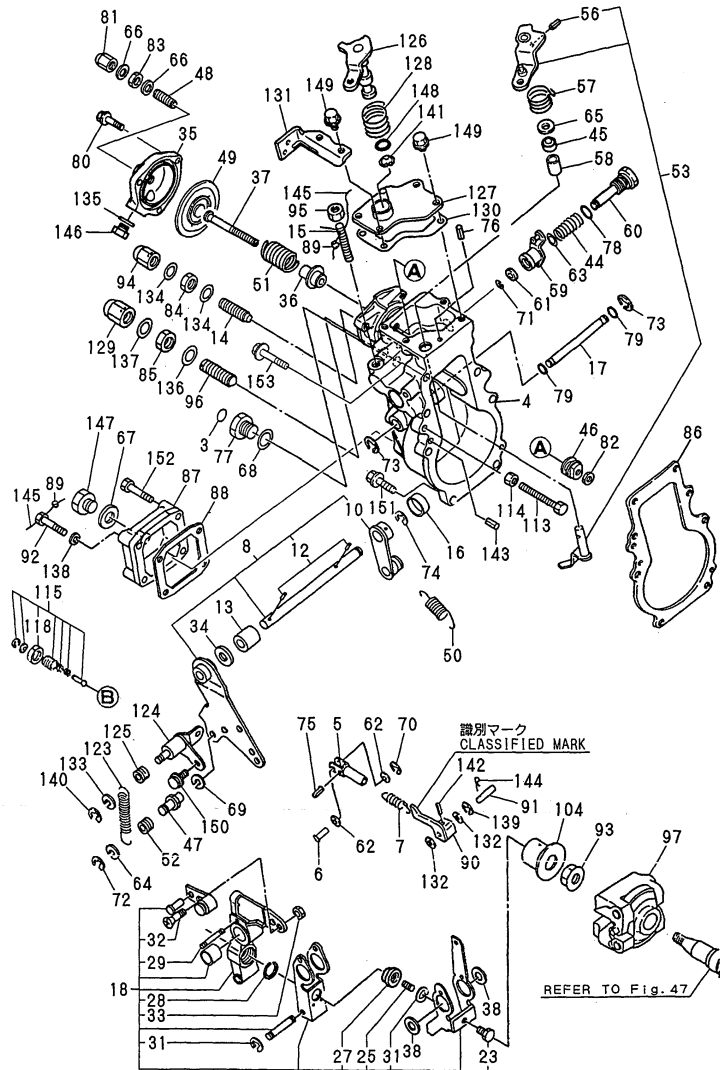
- (1)PITCH 51
- (2)PITCH 52
- (3)PITCH 53
- (4)PITCH 51.5
- (5)PITCH 52.5
- (6)PITCH 53.5

(A)=4LH-TE
(B)=4LH-HTE
(C)=4LH-DTE

(D)=4LH-STE
(E)=
(F)=

No.	Lev.	Parts No.	Description	Q'ty						I	R
				(A)	(B)	(C)	(D)	(E)	(F)		
70	3	22272-000040	RING, E- 4				1				
71	3	22272-000060	RING, E- 6				1				
72	3	22272-000060	RING, E- 6				1				
73	3	22272-000080	RING, E- 8				2				
74	3	22272-000080	RING, E- 8				1				
75	3	22351-030016	PIN, SPRING 3.0X16				1				
76	3	22492-060362	PIN, B6X36				1				
77	3	23887-160002	PLUG, 16				1				
78	3	24311-000120	O-RING, 1AP12.0				1				
79	3	24341-000080	O-RING, 1AS8.0				2				
80	3	26106-060182	BOLT, M6X 18 PLATED				3				
81	3	26667-080002	NUT, CAP M8				1				
82	3	26756-060002	NUT, LOCK M6				1				
83	3	26756-080002	NUT, LOCK M8				1				
84	3	26756-080002	NUT, LOCK M8				1				
85	3	26777-120002	NUT, LOCK M12				1				
86	2	119000-61051	GASKET				1				
86-1	2	119000-61052	GASKET				1				R
(D=E/#50507)											
87	2	119187-61071	COVER, GOVERNOR CASE				1				
88	2	127695-61071	GASKET				1				
89	2	135210-61090	LEAD				3				
90	2	119593-61100	LINK				1				1
90A	2	119593-61110	LINK				1				2
90B	2	119593-61120	LINK				1				3
90C	2	119593-61130	LINK, 10.5				1				4
90D	2	119593-61140	LINK, 11.5				1				5
90E	2	119593-61150	LINK, 12.5				1				6
91	2	119000-61180	PIN, LINK				1				
92	2	26116-060306	BOLT, M6X 30 PLATED				1				
93	2	26376-120002	NUT, M12				1				
94	2	26667-080002	NUT, CAP M8				1				
95	2	26756-080002	NUT, LOCK M8				1				
96	2	26911-080402	SCREW, M8X40				1				
97	2	119173-61200	WEIGHT ASSY,GOVERNOR				1				
104	2	119187-61300	SLEEVE ASSY				1				
113	2	171353-61460	BOLT, IDLE				1				
114	2	119000-61470	NUT, M6				1				
115	2	119174-61550	ANGLEICH ASSY				1				
118	3	124616-61580	NUT, LOCK				1				
123	2	119173-61651	SPRING				1				
124	2	119173-61660	SUPPORT, SPRING				1				
125	2	144626-61781	PIECE				1				
126	2	119593-61900	LEVER				1				
127	2	119593-61910	COVER				1				
128	2	119593-61920	SPRING, RETURN				1				
129	2	129100-61930	NUT, CAP				1				
130	2	127695-61961	GASKET				1				
131	2	119593-61990	SUPPORT, WIRE				1				
132	2	22117-050000	WASHER, 5				2				
133	2	22117-080000	WASHER, 8				1				

Fig.4. GOVERNOR(4LH-STE)



(A)=4LH-TE
(B)=4LH-HTE
(C)=4LH-DTE

(D)=4LH-STE
(E)=
(F)=

No.	Lev.	Parts No.	Description	Q'ty						I	R
				(A)	(B)	(C)	(D)	(E)	(F)		
134	2	22190-080002	WASHER, SEAL 6				2				
135	2	22190-100002	WASHER, SEAL 10				1				
136	2	22190-120002	WASHER, SEAL 12				1				
137	2	22190-120002	WASHER, SEAL 12				1				
138	2	22217-060000	WASHER, SPRING 6				1				
139	2	22272-000040	RING, E- 4				1				
140	2	22272-000060	RING, E- 6				1				
141	2	22272-000100	RING, E-10				1				
142	2	22351-030025	PIN, SPRING 3.0X25				1				
143	2	22351-050020	PIN, SPRING 5.0X20				2				
144	2	22372-050000	PIN, SNAP 5				1				
145	2	22453-060000	WIRE, 0.6				3				
146	2	23887-100002	PLUG, 10				1				
147	2	23887-120002	PLUG, 12				1				
148	2	24311-000110	O-RING, 1AP11.0				1				
149	2	26106-060122	BOLT, M6X 12 PLATED				4				
150	2	26106-060122	BOLT, M6X 12 PLATED				1				
151	2	26106-060222	BOLT, M6X 22 PLATED				6				
152	2	26106-060302	BOLT, M6X 30 PLATED				3				
153	2	26106-060402	BOLT, M6X 40 PLATED				1				

Remarks

- (1)PITCH 51
- (2)PITCH 52
- (3)PITCH 53
- (4)PITCH 51.5
- (5)PITCH 52.5
- (6)PITCH 53.5

Parts No. Index

Parts No.	Fig. No.	Ref. No.
119000-51050	1	4
119000-51060	1	6
119000-51150	1	12
119000-51151	1	12 -1
119000-51161	1	15
119000-51170	1	52
119000-51181	1	61
119000-51201	1	16
119000-51250	1	18
119000-51330	1	23
119000-51410	1	27
119000-51430	1	13
119000-51450	1	29
119000-51510	1	32
119000-51511	1	32 -1
119000-51530	1	33
119000-51550	1	34
119000-51570	1	35
119000-51580	1	36
119000-51590	1	37
119000-51650	1	38
119000-51800	1	40
119000-51900	1	42
119000-51911	1	44
119000-52000	1	65
119000-61011	2	3
119000-61050	2	4
119000-61051	2	4 -1
	4	86
119000-61052	3	65
	4	86 -1
119000-61090	2	9 A
	3	68
119000-61100	2	9 B
	3	70
119000-61110	2	9 C
	3	71
119000-61120	2	8
	3	6
	4	5
119000-61140	2	9 D
	3	72
119000-61150	2	9 E
	3	73
119000-61160	2	9 F
	3	74
119000-61170	2	10
	3	7
119000-61180	2	11
	3	75

Parts No.	Fig. No.	Ref. No.
119000-61180	4	91
119000-61310	2	15 A
	3	84
119000-61320	2	16
119000-61400	2	19
119000-61430	2	22
119000-61470	2	25
	3	89
	4	114
119000-61490	2	27
	3	17
	4	17
119000-61630	2	51
	3	34
	4	38
119000-61841	2	58
119100-51080	1	7
119100-51081	1	7 -1
119100-51090	1	8
119100-51091	1	8 -1
119100-51101	1	10
119100-51500	1	31
119100-61771	2	54
	3	42
119100-61860	2	59
	3	47
119173-61010	3	4
119173-61200	2	13
	3	76
	4	97
119173-61400	3	9
	4	8
119173-61440	3	12
119173-61651	3	98
	4	123
119173-61660	3	99
	4	124
119174-61500	4	18
119174-61550	4	115
119175-51030	1	3 -1
		3 A
119175-51070	1	60 -1
119175-51340	1	24 A
119187-51030	1	3
119187-51341	1	24
119187-51500	1	31 -1
119187-61071	2	5
	3	66
	4	87
119187-61190	2	12

Parts No.	Fig. No.	Ref. No.
119187-61190	3	8
	4	7
119187-61300	2	14
	3	83
	4	104
119187-61310	2	29
	3	19
119187-61440	2	23
119187-61500	2	28
	3	18
119187-61551	2	43
	3	90
119187-61612	2	35
	3	25
119187-61911	3	27
	4	27
119187-61920	3	28
	4	28
119187-61930	3	29
	4	29
119192-61310	2	15 B
	3	84 A
119192-61320	2	15 C
	3	84 C
119192-61330	2	15 D
	3	84 D
119573-51200	1	16 A
119573-61010	4	4
119588-61700	4	50
119593-51100	1	10 A
119593-51300	1	21 A
119593-51520	1	62
119593-51530	1	33 A
119593-52000	1	66
119593-61100	4	90
119593-61110	4	90 A
119593-61120	4	90 B
119593-61130	4	90 C
119593-61140	4	90 D
119593-61150	4	90 E
119593-61310	3	84 B
119593-61650	4	44
119593-61760	4	51
119593-61800	4	53
119593-61830	4	57
119593-61860	4	60
119593-61890	4	61
119593-61900	4	126
119593-61910	4	127
119593-61920	4	128

Parts No.	Fig. No.	Ref. No.
119593-61990	4	131
119594-61850	4	59
119595-61170	4	6
120130-61600	4	25
120320-61540	3	33
	4	34
120323-61070	2	6
	3	67
120323-61420	4	10
120323-61430	3	14
	4	13
120323-61470	2	26
	3	15
120323-61710	2	53
	3	100
121850-51700	1	39
121850-61470	4	15
121850-61670	3	41
	4	47
121855-61910	2	60
	3	48
121952-51900	1	43
		46 A
122710-51050	1	5
122710-51350	1	26
122710-51920	1	45
124610-51970	2	2
	3	3
	4	3
124616-61580	2	50
	3	93
	4	118
127495-61540	4	23
127495-61660	4	46
127695-61071	4	88
127695-61450	4	14
127695-61840	4	58
127695-61961	4	130
128400-51300	1	21
129100-61930	2	61
	3	102
	4	129
129155-51270	1	19
129155-51280	1	20
129155-61460	3	88
129470-61450	2	24
129595-61600	4	35
129595-61610	4	36
129595-61620	4	37
129595-61670	4	48

Parts No. Index

Parts No.	Fig. No.	Ref. No.
129595-61680	4	49
129795-61470	3	16
	4	16
135210-61090	2	7
	3	69
	4	89
137600-53900	1	49
144626-51090	1	9
144626-51940	1	46
144626-51950	1	47
144626-61781	3	46
		101
	4	52
		125
148616-61650	2	52
	3	40
	4	45
152623-51560	2	1
171353-61460	4	113
22117-050000	2	62
	3	49
		103
	4	62
		132
22117-080000	3	104
	4	63
		64
		133
22137-080000	2	63
	3	50
	4	65
22190-060000	1	28
22190-080000	4	66
22190-080002	3	105
	4	134
22190-100002	4	135
22190-120002	3	51
		106
		107
	4	67
		136
		137
22190-160002	3	52
	4	68
22217-050000	2	64
	3	108
22217-060000	2	65
	4	138
22217-080000	3	53
	4	69

Parts No.	Fig. No.	Ref. No.
22217-100000	2	66
22242-000200	1	14
22262-000260	2	18
22272-000040	2	40
		67
	3	31
		54
		109
	4	31
		70
		139
22272-000060	3	55
		110
	4	71
		72
		140
22272-000080	2	68
	3	56
		57
	4	73
		74
22272-000100	4	141
22322-030220	3	13
	4	12
22351-020008	1	41
22351-020012	1	48
22351-030016	2	57
		69
	3	45
		58
	4	56
		75
22351-030025	2	70
	3	111
	4	142
22351-050020	2	71
	3	112
	4	143
22372-050000	2	72
	3	113
	4	144
22417-120120	3	5
22451-100000	2	73
22453-060000	3	114
	4	145
22492-060362	2	74
	3	35
	4	76
23414-220029	1	53
23887-100002	4	146

Parts No.	Fig. No.	Ref. No.
23887-120002	2	75
	3	115
	4	147
23887-160002	2	76
	3	36
	4	77
24311-000110	2	77
	4	148
24311-000120	4	78
24341-000080	2	78
	3	37
	4	79
24341-000260	1	54
24341-000500	1	56
24352-010160	1	55
26106-060122	2	42
	3	32
		116
	4	149
		150
26106-060182	1	57
	4	80
26106-060202	1	60
26106-060222	2	79
	3	117
	4	151
26106-060302	4	152
26106-060352	2	80
	3	118
26106-060402	3	119
	4	153
26116-050302	2	81
	3	59
26116-050306	3	60
26116-060256	2	82
26116-060306	4	92
26116-060356	2	83
26216-060162	1	58
26366-080002	1	59
26376-120002	2	84
	3	61
	4	93
26577-060162	4	32
26667-080002	3	62
	4	81
		94
26736-100002	2	85
26756-060002	4	82
26756-080002	3	38
		63

Parts No.	Fig. No.	Ref. No.
26756-080002	4	83
		84
		95
26757-060002	4	33
26757-080002	2	86
		87
26777-120002	2	88
	3	39
	4	85
26911-080322	2	89
	3	64
26911-080402	4	96
43400-500420	2	90
43400-500450	2	91
43400-500500	2	92
719173-51300	1	1
719175-51300	1	2