

0CI00-M22600EN

Contents

Fig. No. Fig. Name

719189-51300

719174-51300

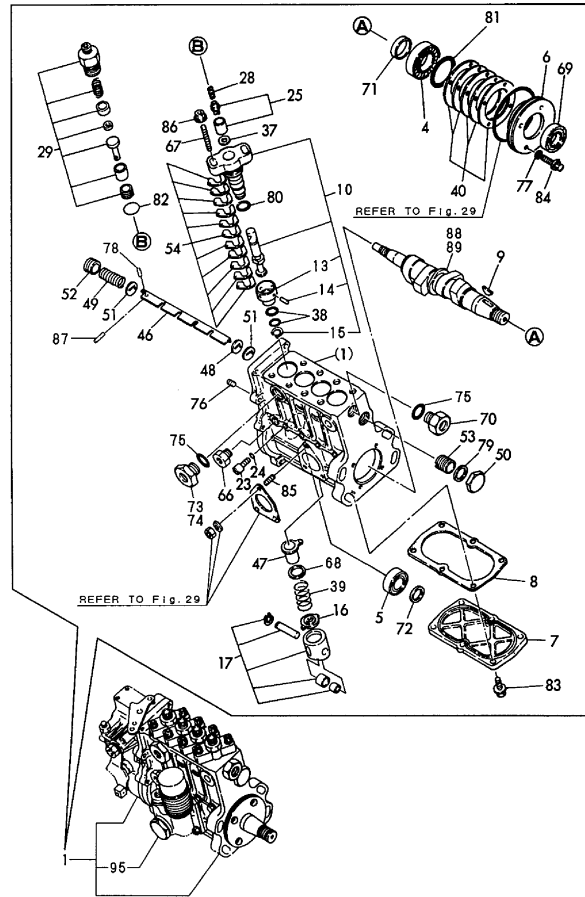
719195-51300

719175-51300

1. FUEL INJECTION PUMP
2. GOVERNOR(4LH-UT,UTZAY)
3. GOVERNOR(4LH-ST,STZAY)
4. GOVERNOR(4LH-UTZ,STZ)

Fig. No. Fig. Name

Fig.1. FUEL INJECTION PUMP



(A)=719189-51300
(B)=719174-51300
(C)=719195-51300

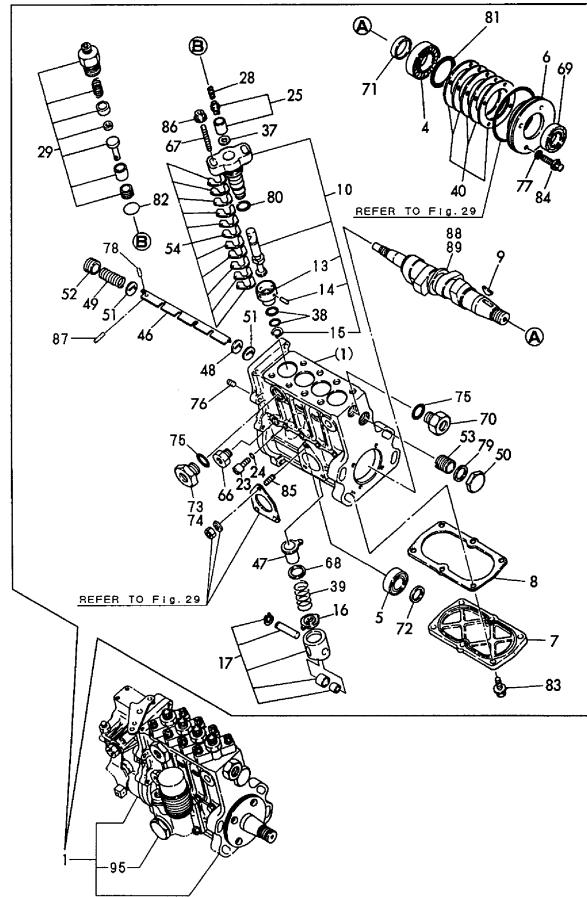
(D)=719175-51300
(E)=
(F)=

No.	Lev.	Parts No.	Description	Qty						I	R
				(A)	(B)	(C)	(D)	(E)	(F)		
1	1	719189-51300	PUMP ASSY, INJECTION	1							1
1A	1	719174-51300	PUMP ASSY, INJECTION		1						1
1B	1	719195-51300	PUMP ASSY, INJECTION			1					2
1C	1	719175-51300	PUMP ASSY, INJECTION					1			2
4	2	119000-51050	BEARING, HR32005XJ	1	1	1	1				
5	2	122710-51050	BEARING, HR30203J	1	1	1	1				
6	2	119000-51060	SUPPORT, BEARING A	1	1	1	1				
7	2	119100-51081	COVER	1	1	1	1				
8	2	119100-51091	GASKET	1	1	1	1				
9	2	144626-51090	KEY, 5X19	1	1	1	1				
10	2	119593-51100	PLUNGER ASSY	4	4	4	4				
13	3	119000-51151	DEFLECTOR	4	4	4	4				
14	3	119000-51430	PIN	4	4	4	4				
15	3	22242-000200	RING, 20	4	4	4	4				
16	2	119000-51181	SEAT, SPRING B	4	4	4	4				
17	2	119000-51201	TAPPET ASSY	4							
17A	2	119573-51200	TAPPET ASSY		4	4	4				
23	2	129155-51270	STOPPER, TAPPET	4	4	4	4				
24	2	129155-51280	O-RING, S6	4	4	4	4				
25	2	119593-51300	VALVE ASSY, DELIVERY	4	4	4	4				
28	2	119000-51330	SPRING, DELIVERY	4	4	4	4				
29	2	119187-51341	HOLDER, DELY. VALVE	4	4						
29A	2	119175-51340	VALVE ASSY, DELIVERY			4	4				
37	2	122710-51350	GASKET	4	4	4	4				
38	2	119000-51410	O-RING, S18	8	8	8	8				
39	2	119000-51161	SPRING, PLUNGER	4	4	4	4				
40	2	119000-51450	SHIM SET, CAMSHAFT	1	1	1	1				
46	2	119187-51500	RACK, CONTROL	1	1	1	1				
47	2	119000-51510	SLEEVE, CONTROL	4	4	4	4				
47-1	2	119000-51511	SLEEVE, CONTROL	4	4	4	4				R
		(A=E/#41039)	(B=E/#41042)	(C=*1998.10)	(D=E/#00323)	(E=E/#00321)	(F=*1998.10)				
48	2	119593-51520	WASHER	1	1	1	1				
49	2	119593-51530	SPRING, RACK	1	1	1	1				
50	2	119000-51550	COVER	1	1	1	1				
51	2	119000-51570	GUIDE, RACK	2	2	2	2				
52	2	119000-51580	SCREW	1	1	1	1				
53	2	119000-51590	SCREW	1	1	1	1				
54	2	119000-51650	SHIM SET, ADJUSTING	8	8	8	8				
66	2	121850-51700	BUSH	1	1	1	1				
67	2	119000-51800	BOLT	8	8	8	8				
68	2	119000-51170	SEAT, SPRING A	4	4	4	4				
69	2	119000-51900	SEAL, AC1290E0	1	1	1	1				
70	2	121952-51900	PLUG	1	1	1	1				
71	2	119000-51911	SPACER, CAMSHAFT	1							Z
		(A=E/#40157)	(B=E/#40156)								
72	2	122710-51920	SPACER	1							Z
		(A=E/#40157)	(B=E/#40156)								
73	2	144626-51940	PLUG	1	1						
74	2	121952-51900	PLUG			1	1				
75	2	144626-51950	O-RING, 1016	2	2	2	2				
76	2	137600-53900	SCREW, M6X6	1	1	1	1				

Remarks

- (1) GOVERNOR ASSY (FIG 2) IS INCORPORATED IN THIS FUEL INJECTION PUMP ASSY (REF. NO. 1).
- (2) GOVERNOR ASSY (FIG 3,4) IS INCORPORATED IN THIS FUEL INJECTION PUMP ASSY (REF. NO. 1A, 1B, 1C).
- (A)=4LH-UT, 4LH-UTZAY.
- (B)=4LH-UTZ.
- (C)=4LH-ST, 4LH-STZAY.
- (D)=4LH-STZ.

Fig.1. FUEL INJECTION PUMP



(A)=719189-51300
 (B)=719174-51300
 (C)=719195-51300

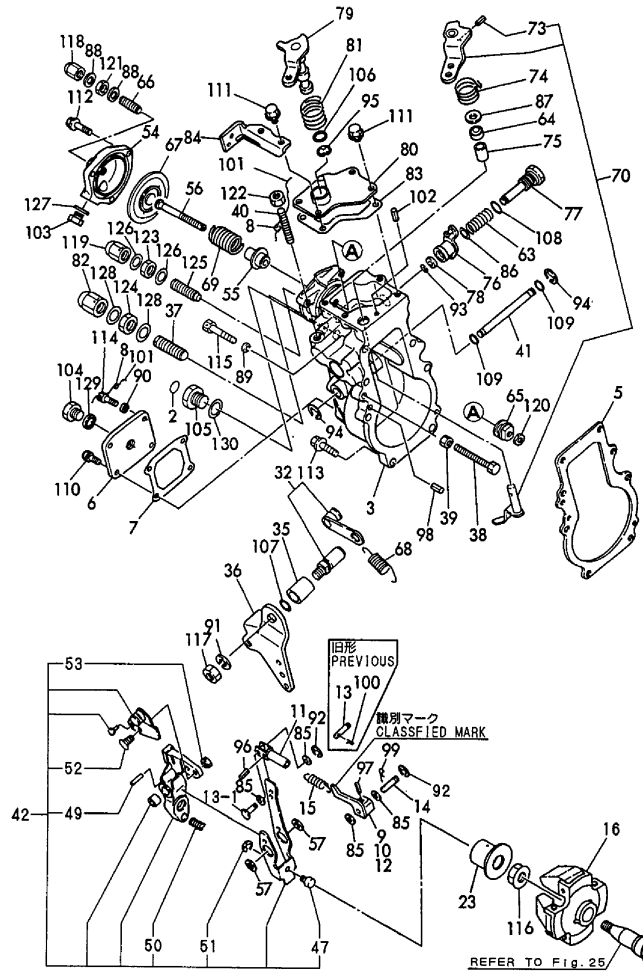
(D)=719175-51300
 (E)=
 (F)=

No.	Lev.	Parts No.	Description	Qty						I	R
				(A)	(B)	(C)	(D)	(E)	(F)		
77	2	22190-060000	WASHER, SEAL 6	4	4	4	4				
78	2	22351-020008	PIN, SPRING 2.0X 8	1	1	1	1				
79	2	23414-220029	GASKET, 22X1.0	1	1	1	1				
80	2	24341-000260	O-RING, 1AS26.0	4	4	4	4				
81	2	24341-000500	O-RING, 1AS50.0	1	1	1	1				
82	2	24352-010160	O-RING	4	4	4	4				
83	2	26106-060182	BOLT, M6X 18 PLATED	6	6	6	6				
84	2	26106-060202	BOLT, M6X 20 PLATED	4	4	4	4				
84-1	2	119175-51070	BOLT, M6X20	4	4	4	4				N
		(A=#40894)	(B=#40893)	(C=*1997.11)	(D=#00231)	(E=#00225)	(F=*1997.08)				
85	2	26216-060162	STUD, M6X 16	3	3	3	3				
86	2	26366-080002	NUT, M8	8	8	8	8				
87	2	22351-020012	PIN, SPRING 2.0X12	1	1	1	1				
88	2	119187-51030	CAMSHAFT	1	1						
88-1	2	119175-51030	CAMSHAFT	1	1						R
		(A=#40915)	(B=#40916)	(C=*1998.01)							
89	2	119175-51030	CAMSHAFT			1	1				
95	2	119593-52000	PUMP ASSY, FUEL FEED	1	1	1	1				

Remarks

- (1) GOVERNOR ASSY (FIG 2) IS INCORPORATED IN THIS FUEL INJECTION PUMP ASSY (REF. NO.1).
- (2) GOVERNOR ASSY (FIG 3,4) IS INCORPORATED IN THIS FUEL INJECTION PUMP ASSY (REF. NO.1A, 1B, 1C).
- (A)=4LH-UT, 4LH-UTZAY.
- (B)=4LH-UTZ.
- (C)=4LH-ST, 4LH-STZAY.
- (D)=4LH-STZ.

Fig.2. GOVERNOR(4LH-UT,UTZAY)



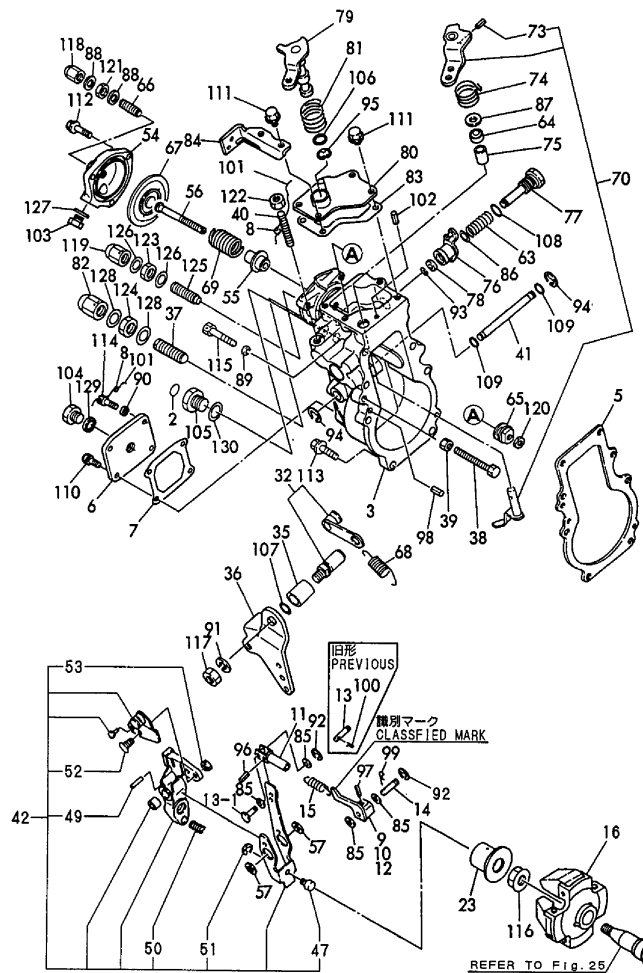
Remarks

- (1)PITCH 51
- (2)PITCH 52
- (3)PITCH 53
- (4)PITCH 51.5
- (5)PITCH 52.5
- (6)PITCH 53.5

(A)=4LH-UT
 (B)=4LH-UTZAY
 (C)=4LH-UTZ
 (D)=4LH-ST
 (E)=4LH-STZAY
 (F)=4LH-STZ

No.	Lev.	Parts No.	Description	Q'ty						I	R
				(A)	(B)	(C)	(D)	(E)	(F)		
2	2	124610-51970	LABEL	1	1						
3	2	119593-61010	CASE, GOVERNOR	1	1						
5	2	119000-61051	GASKET	1	1						
5-1	2	119000-61052	GASKET	1	1						R
		(A=E/#41054) (B=E/#41055)									
6	2	127695-61061	COVER, GOVERNOR CASE	1	1						
7	2	127695-61071	GASKET	1	1						
8	2	135210-61090	LEAD	3	3						
9	2	119593-61100	LINK	1	1						1
10	2	119593-61110	LINK	1	1						2
11	2	119000-61120	LINK	1	1						
12	2	119593-61120	LINK	1	1						3
12A	2	119593-61130	LINK, 10.5	1	1						W 4
		(A=E/#40718) (B=E/#40721)									
12B	2	119593-61140	LINK, 11.5	1	1						W 5
		(A=E/#40718) (B=E/#40721)									
12C	2	119593-61150	LINK, 12.5	1	1						W 6
		(A=E/#40718) (B=E/#40721)									
13	2	119000-61170	PIN, LINK	1	1						
13-1	2	119595-61170	PIN, LINK	1	1						N
		(A=E/#40941) (B=E/#40942)									
14	2	119000-61180	PIN, LINK	1	1						
15	2	119187-61190	SPRING	1	1						
16	2	119187-61201	WEIGHT ASSY,GOVERNOR	1	1						
23	2	119187-61300	SLEEVE ASSY	1	1						
32	2	119000-61400	SHAFT ASSY	1	1						
35	2	119000-61430	BUSH	1	1						
36	2	119187-61440	LEVER, CONTROL	1	1						
37	2	127695-61450	BOLT, CONTROL	1	1						
38	2	171353-61460	BOLT, IDLE	1	1						
39	2	119000-61470	NUT, M6	1	1						
40	2	121850-61470	BOLT, LIMITER	1	1						
41	2	119000-61490	SHAFT	1	1						
42	2	119593-61500	LEVER ASSY, GOVERNOR	1	1						
47	3	127695-61540	SHIFTER	1	1						
49	3	119100-61570	PIN	1	1						
50	3	119593-61600	SPRING, FUEL CONTROL	1	1						
51	3	22272-000040	RING, E- 4	1	1						
52	3	26577-060162	SCREW, M6X16	1	1						
53	3	26716-060002	NUT, M6	1	1						
54	2	129595-61600	CASE	1	1						
55	2	129595-61610	BUSH	1	1						
56	2	129595-61620	ROD, SLIDER	1	1						
57	2	119000-61630	SHIM SET	1	1						
63	2	119593-61650	SPRING	1	1						
64	2	148616-61650	SEAL, VC081404	1	1						
65	2	127495-61660	RING	1	1						
66	2	129595-61670	BOLT, ADJUSTER	1	1						
67	2	129595-61680	DIAPHRAGM	1	1						
68	2	119593-61700	SPRING, GOVERNOR	1	1						
69	2	119593-61760	SPRING, DIAPHRAGM	1	1						

Fig.2. GOVERNOR(4LH-UT,UTZAY)

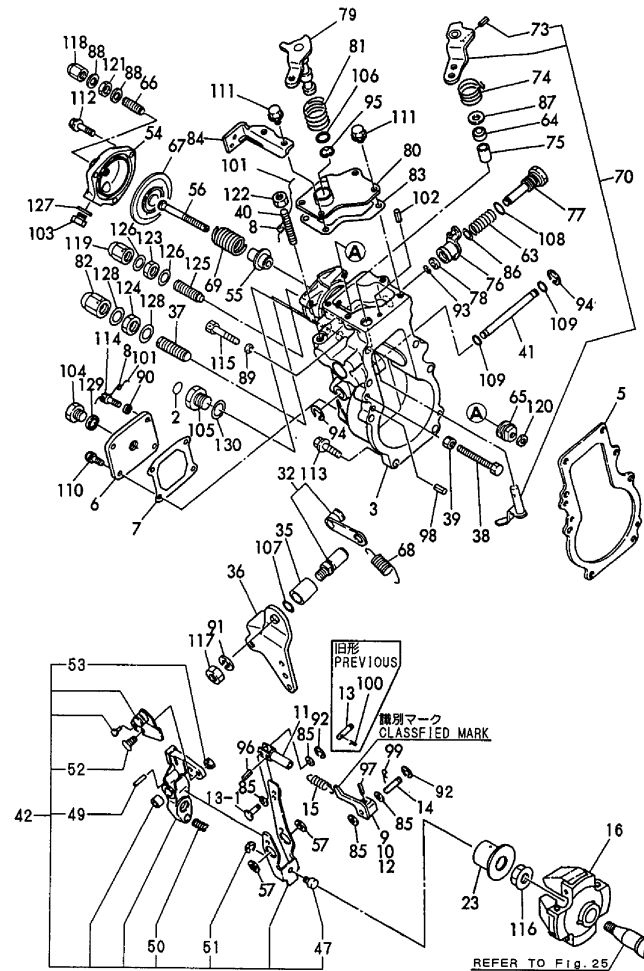


(A)=4LH-UT
 (B)=4LH-UTZAY
 (C)=4LH-UTZ
 (D)=4LH-ST
 (E)=4LH-STZAY
 (F)=4LH-STZ

No.	Lev.	Parts No.	Description	Q'ty						I	R
				(A)	(B)	(C)	(D)	(E)	(F)		
70	2	119593-61800	LEVER ASSY, STOP	1	1						
73	3	22351-030016	PIN, SPRING 3.0X16	1	1						
74	2	119593-61830	SPRING, RETURN	1	1						
75	2	127695-61840	BUSH	1	1						
76	2	119593-61850	LEVER	1	1						
77	2	119593-61860	SHAFT	1	1						
78	2	119593-61890	SPACER	1	1						
79	2	119593-61900	LEVER	1	1						
80	2	119593-61910	COVER	1	1						
81	2	119593-61920	SPRING, RETURN	1	1						
82	2	129100-61930	NUT, CAP	1	1						
83	2	127695-61961	GASKET	1	1						
84	2	119593-61990	SUPPORT, WIRE	1	1						
85	2	22117-050000	WASHER, 5	4	4						
86	2	22117-080000	WASHER, 8	1	1						
87	2	22137-080000	WASHER, 8	1	1						
88	2	22190-080000	WASHER, SEAL 8	2	2						
89	2	22217-060000	WASHER, SPRING 6	1	1						
90	2	22217-060000	WASHER, SPRING 6	1	1						
91	2	22217-100000	WASHER, SPRING 10	1	1						
92	2	22272-000040	RING, E- 4	2	2						
93	2	22272-000060	RING, E- 6	1	1						
94	2	22272-000080	RING, E- 8	2	2						
95	2	22272-000100	RING, E-10	1	1						
96	2	22351-030016	PIN, SPRING 3.0X16	1	1						
97	2	22351-030025	PIN, SPRING 3.0X25	1	1						
98	2	22351-050020	PIN, SPRING 5.0X20	2	2						
99	2	22372-050000	PIN, SNAP 5	1	1						
100	2	22417-120120	PIN, COTTER 1.2X12	1	1						Z
(A=E/#40941) (B=E/#40942)											
101	2	22451-100000	WIRE, 1.0	3	3						
101-1	2	22453-060000	WIRE, 0.6	3	3						R
(A=E/XXXX) (B=E/XXXX)											
102	2	22492-060362	PIN, B6X36	1	1						
103	2	23887-100002	PLUG, 10	1	1						
104	2	23887-120002	PLUG, 12	1	1						
105	2	23887-160002	PLUG, 16	1	1						
106	2	24311-000110	O-RING, 1AP11.0	1	1						
107	2	24311-000110	O-RING, 1AP11.0	1	1						
108	2	24311-000120	O-RING, 1AP12.0	1	1						
109	2	24341-000080	O-RING, 1AS8.0	2	2						
110	2	26106-060122	BOLT, M6X 12 PLATED	3	3						
111	2	26106-060122	BOLT, M6X 12 PLATED	4	4						
112	2	26106-060182	BOLT, M6X 18 PLATED	3	3						
113	2	26106-060222	BOLT, M6X 22 PLATED	6	6						
114	2	26116-060126	BOLT, M6X 12 PLATED	1	1						
115	2	26116-060356	BOLT, M6X 35 PLATED	1	1						
116	2	26376-120002	NUT, M12	1	1						
117	2	26606-100002	NUT, M10	1	1						
118	2	26667-080002	NUT, CAP M8	1	1						
119	2	26667-080002	NUT, CAP M8	1	1						

Remarks
 (1)PITCH 51
 (2)PITCH 52
 (3)PITCH 53
 (4)PITCH 51.5
 (5)PITCH 52.5
 (6)PITCH 53.5

Fig.2. GOVERNOR(4LH-UT,UTZAY)



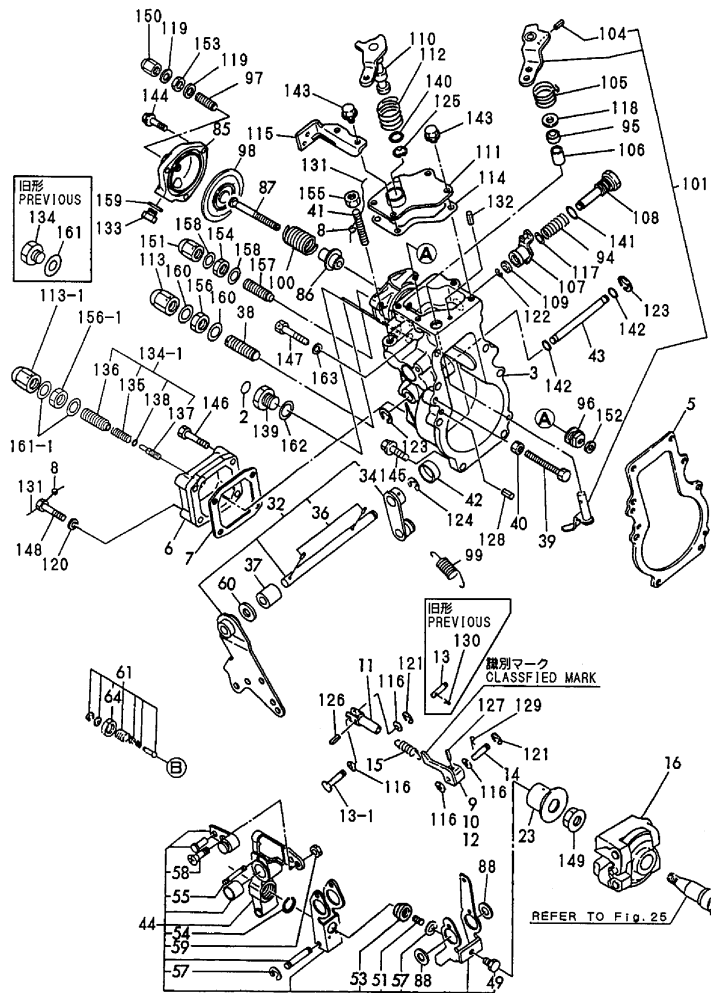
(A)=4LH-UT
 (B)=4LH-UTZAY
 (C)=4LH-UTZ
 (D)=4LH-ST
 (E)=4LH-STZAY
 (F)=4LH-STZ

No.	Lev.	Parts No.	Description	Q'ty						I	R
				(A)	(B)	(C)	(D)	(E)	(F)		
120	2	26756-060002	NUT, LOCK M6	1	1						
121	2	26756-080002	NUT, LOCK M8	1	1						
122	2	26756-080002	NUT, LOCK M8	1	1						
123	2	26756-080002	NUT, LOCK M8	1	1						
124	2	26777-120002	NUT, LOCK M12	1	1						
125	2	26911-080402	SCREW, M8X40	1	1						
126	2	43400-500420	SEAL WASHER 8	2	2						
126-1	2	22190-080002	WASHER, SEAL 6	2	2						R
		(A=E/#40384) (B=E/#40383)									
127	2	43400-500430	SEAL WASHER 10S	1	1						
127-1	2	22190-100002	WASHER, SEAL 10	1	1						R
		(A=E/#40384) (B=E/#40383)									
128	2	43400-500450	SEAL WASHER 12S	2	2						
128-1	2	22190-120002	WASHER, SEAL 12	2	2						R
		(A=E/#40384) (B=E/#40383)									
129	2	43400-500450	SEAL WASHER 12S	1	1						
129-1	2	22190-120002	WASHER, SEAL 12	1	1						R
		(A=E/#40384) (B=E/#40383)									
130	2	43400-500500	SEAL WASHER 16	1	1						
130-1	2	22190-160002	WASHER, SEAL 16	1	1						R
		(A=E/#40384) (B=E/#40383)									

Remarks

- (1)PITCH 51
- (2)PITCH 52
- (3)PITCH 53
- (4)PITCH 51.5
- (5)PITCH 52.5
- (6)PITCH 53.5

Fig.3. GOVERNOR(4LH-ST,STZAY)



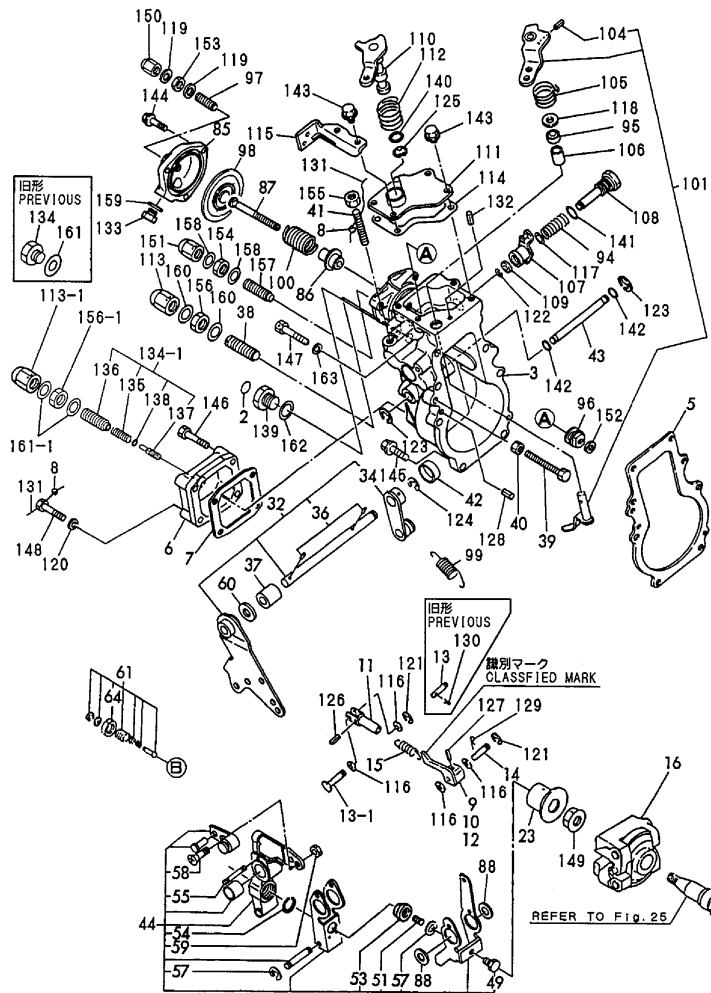
Remarks

- (1)PITCH 51
- (2)PITCH 52
- (3)PITCH 53
- (4)PITCH 51.5
- (5)PITCH 52.5
- (6)PITCH 53.5

(A)=4LH-UT
 (B)=4LH-UTZAY
 (C)=4LH-UTZ
 (D)=4LH-ST
 (E)=4LH-STZAY
 (F)=4LH-STZ

No.	Lev.	Parts No.	Description	Q'ty						I	R
				(A)	(B)	(C)	(D)	(E)	(F)		
2	2	124610-51970	LABEL				1	1			
3	2	119573-61010	CASE, GOVERNOR				1	1			
5	2	119000-61051	GASKET				1	1			
5-1	2	119000-61052	GASKET				1	1			R
			(D=E/#00330)				(E=E/#00328)				
6	2	119187-61071	COVER, GOVERNOR CASE				1	1			
7	2	127695-61071	GASKET				1	1			
8	2	135210-61090	LEAD				3	3			
9	2	119593-61100	LINK				1	1			1
10	2	119593-61110	LINK				1	1			2
11	2	119000-61120	LINK				1	1			
12	2	119593-61120	LINK				1	1			3
12A	2	119593-61130	LINK, 10.5				1	1			W 4
			(D=E/#00104)				(E=E/#00107)				
12B	2	119593-61140	LINK, 11.5				1	1			W 5
			(D=E/#00104)				(E=E/#00107)				
12C	2	119593-61150	LINK, 12.5				1	1			W 6
			(D=E/#00104)				(E=E/#00107)				
13	2	119000-61170	PIN, LINK				1	1			
13-1	2	119595-61170	PIN, LINK				1	1			N
			(D=E/#00290)				(E=E/#00289)				
14	2	119000-61180	PIN, LINK				1	1			
15	2	119187-61190	SPRING				1	1			
16	2	119187-61201	WEIGHT ASSY,GOVERNOR				1	1			
23	2	119187-61300	SLEEVE ASSY				1	1			
32	2	119173-61400	LEVER ASSY, CONTROL				1	1			
34	3	120323-61420	LEVER, GOVERNOR				1	1			
36	3	22322-030220	PIN, TAPER 3X22				2	2			
37	2	120323-61430	BUSH				2	2			
38	2	127695-61450	BOLT, CONTROL				1	1			
39	2	171353-61460	BOLT, IDLE				1	1			
40	2	119000-61470	NUT, M6				1	1			
41	2	121850-61470	BOLT, LIMITER				1	1			
42	2	129795-61470	PLUG, 20				1	1			
43	2	119000-61490	SHAFT				1	1			
44	2	119195-61500	LEVER ASSY, GOVERNOR				1	1			
49	3	127495-61540	SHIFTER				1	1			
51	3	119594-61601	SPRING, FUEL CONTROL				1	1			
53	3	119187-61911	RETAINER, SPRING				1	1			
54	3	119187-61920	CIRCLIP				1	1			
55	3	119187-61930	PIN				1	1			
57	3	22272-000040	RING, E- 4				5	5			
58	3	26577-060162	SCREW, M6X16				1	1			
59	3	26757-060002	NUT, LOCK M6				1	1			
60	2	120320-61540	SEAL, SC102004				1	1			
61	2	119174-61550	ANGLEICH ASSY				1	1			
64	3	124616-61580	NUT, LOCK				1	1			
85	2	129595-61600	CASE				1	1			
86	2	129595-61610	BUSH				1	1			
87	2	129595-61620	ROD, SLIDER				1	1			
88	2	119000-61630	SHIM SET				1	1			

Fig.3. GOVERNOR(4LH-ST,STZAY)



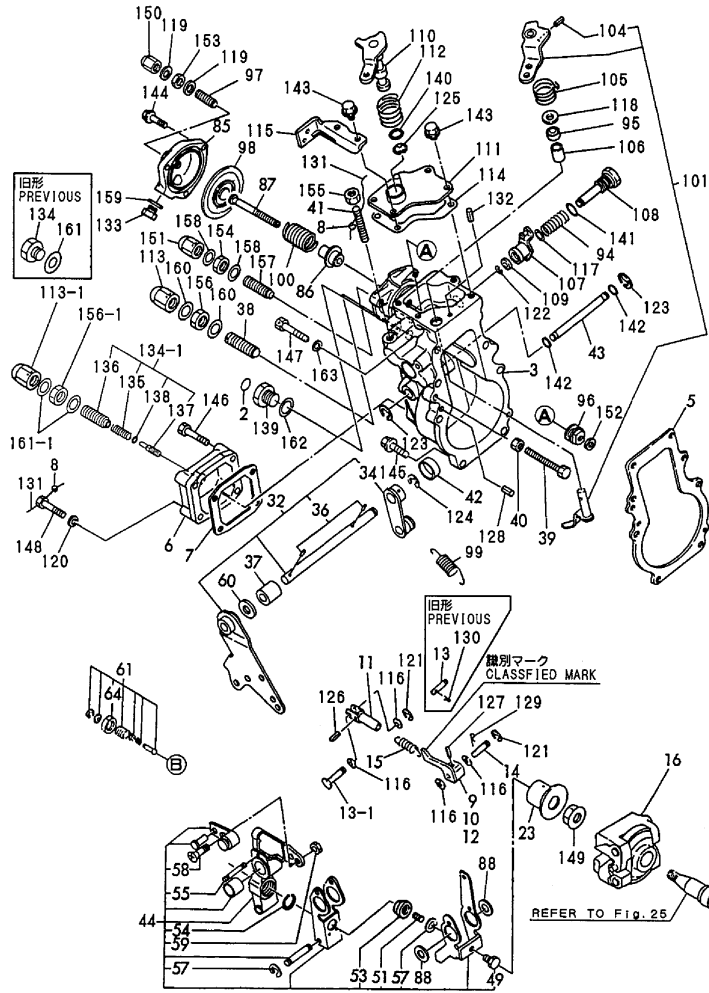
- Remarks
 (1)PITCH 51
 (2)PITCH 52
 (3)PITCH 53
 (4)PITCH 51.5
 (5)PITCH 52.5
 (6)PITCH 53.5

(A)=4LH-UT
 (B)=4LH-UTZAY
 (C)=4LH-UTZ
 (D)=4LH-ST
 (E)=4LH-STZAY
 (F)=4LH-STZ

No.	Lev.	Parts No.	Description	Q'ty						I	R
				(A)	(B)	(C)	(D)	(E)	(F)		
94	2	119593-61650	SPRING				1	1			
95	2	148616-61650	SEAL, VC081404				1	1			
96	2	127495-61660	RING				1	1			
97	2	129595-61670	BOLT, ADJUSTER				1	1			
98	2	129595-61680	DIAPHRAGM				1	1			
99	2	119594-61700	SPRING, GOVERNOR				1	1			
100	2	119593-61760	SPRING, DIAPHRAGM				1	1			
101	2	119593-61800	LEVER ASSY, STOP				1	1			
104	3	22351-030016	PIN, SPRING 3.0X16				1	1			
105	2	119593-61830	SPRING, RETURN				1	1			
106	2	127695-61840	BUSH				1	1			
107	2	119594-61850	LEVER				1	1			
108	2	119593-61860	SHAFT				1	1			
109	2	119593-61890	SPACER				1	1			
110	2	119593-61900	LEVER				1	1			
111	2	119593-61910	COVER				1	1			
112	2	119593-61920	SPRING, RETURN				1	1			
113	2	129100-61930	NUT, CAP				1	1			
113-1	2	129100-61930	NUT, CAP	(D=E/#00484)	(E=E/#00474)		2	2		K	
114	2	127695-61961	GASKET				1	1			
115	2	119593-61990	SUPPORT, WIRE				1	1			
116	2	22117-050000	WASHER, 5				4	4			
117	2	22117-080000	WASHER, 8				1	1			
118	2	22137-080000	WASHER, 8				1	1			
119	2	22190-080000	WASHER, SEAL 8				2	2			
120	2	22217-060000	WASHER, SPRING 6				1	1			
121	2	22272-000040	RING, E- 4				2	2			
122	2	22272-000060	RING, E- 6				1	1			
123	2	22272-000080	RING, E- 8				2	2			
124	2	22272-000080	RING, E- 8				1	1			
125	2	22272-000100	RING, E-10				1	1			
126	2	22351-030016	PIN, SPRING 3.0X16				1	1			
127	2	22351-030025	PIN, SPRING 3.0X25				1	1			
128	2	22351-050020	PIN, SPRING 5.0X20				2	2			
129	2	22372-050000	PIN, SNAP 5				1	1			
130	2	22417-120120	PIN, COTTER 1.2X12				1	1		Z	
131	2	22453-060000	WIRE, 0.6	(D=E/#00290)	(E=E/#00289)		3	3			
132	2	22492-060362	PIN, B6X36				1	1			
133	2	23887-100002	PLUG, 10				1	1			
134	2	23887-120002	PLUG, 12				1	1			
134-1	2	127695-61550	IDLE ASSY	(D=E/#00484)	(E=E/#00474)		1	1		N	
135	3	127695-61560	SPRING	(D=E/#00484)	(E=E/#00474)		1	1		W	
136	3	119187-61650	BOLT	(D=E/#00484)	(E=E/#00474)		1	1		W	
137	3	119187-61660	PIN	(D=E/#00484)	(E=E/#00474)		1	1		W	
138	3	119187-61670	SPACER	(D=E/#00484)	(E=E/#00474)		1	1		W	

Fig.3. GOVERNOR(4LH-ST,STZAY)

(A)=4LH-UT
 (B)=4LH-UTZAY
 (C)=4LH-UTZ
 (D)=4LH-ST
 (E)=4LH-STZAY
 (F)=4LH-STZ

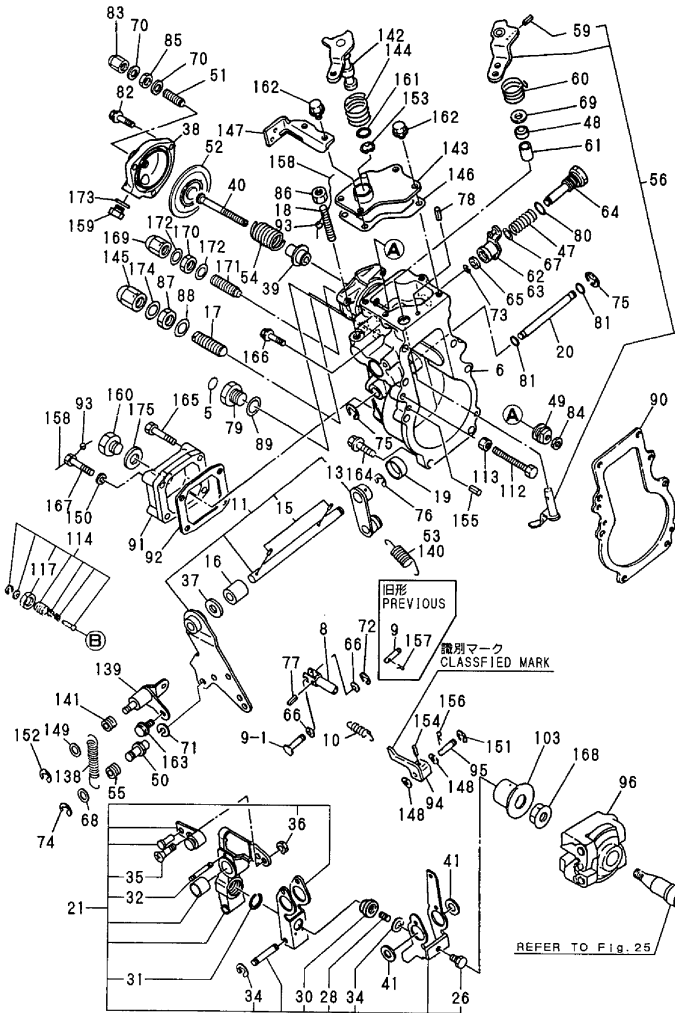


No.	Lev.	Parts No.	Description	Q'ty						I	R
				(A)	(B)	(C)	(D)	(E)	(F)		
				(D=E/#00484)	(E=E/#00474)						
139	2	23887-160002	PLUG, 16				1	1			
140	2	24311-000110	O-RING, 1AP11.0				1	1			
141	2	24311-000120	O-RING, 1AP12.0				1	1			
142	2	24341-000080	O-RING, 1AS8.0				2	2			
143	2	26106-060122	BOLT, M6X 12 PLATED				4	4			
144	2	26106-060182	BOLT, M6X 18 PLATED				3	3			
145	2	26106-060222	BOLT, M6X 22 PLATED				6	6			
146	2	26106-060302	BOLT, M6X 30 PLATED				3	3			
147	2	26116-060356	BOLT, M6X 35 PLATED				1	1			
148	2	26116-060306	BOLT, M6X 30 PLATED				1	1			
149	2	26376-120002	NUT, M12				1	1			
150	2	26667-080002	NUT, CAP M8				1	1			
151	2	26667-080002	NUT, CAP M8				1	1			
152	2	26756-060002	NUT, LOCK M6				1	1			
153	2	26756-080002	NUT, LOCK M8				1	1			
154	2	26756-080002	NUT, LOCK M8				1	1			
155	2	26756-080002	NUT, LOCK M8				1	1			
156	2	26777-120002	NUT, LOCK M12				1	1			
156-1	2	26777-120002	NUT, LOCK M12	(D=E/#00484)	(E=E/#00474)		2	2			K
157	2	26911-080402	SCREW, M8X40				1	1			
158	2	22190-080002	WASHER, SEAL 6				2	2			
159	2	22190-100002	WASHER, SEAL 10				1	1			
160	2	22190-120002	WASHER, SEAL 12				2	2			
161	2	22190-120002	WASHER, SEAL 12				1	1			
161-1	2	22190-120002	WASHER, SEAL 12	(D=E/#00484)	(E=E/#00474)		2	2			K
162	2	22190-160002	WASHER, SEAL 16				1	1			
163	2	22117-060000	WASHER, 6				1	1			

Remarks

- (1)PITCH 51
- (2)PITCH 52
- (3)PITCH 53
- (4)PITCH 51.5
- (5)PITCH 52.5
- (6)PITCH 53.5

Fig.4. GOVERNOR(4LH-UTZ,STZ)



Remarks

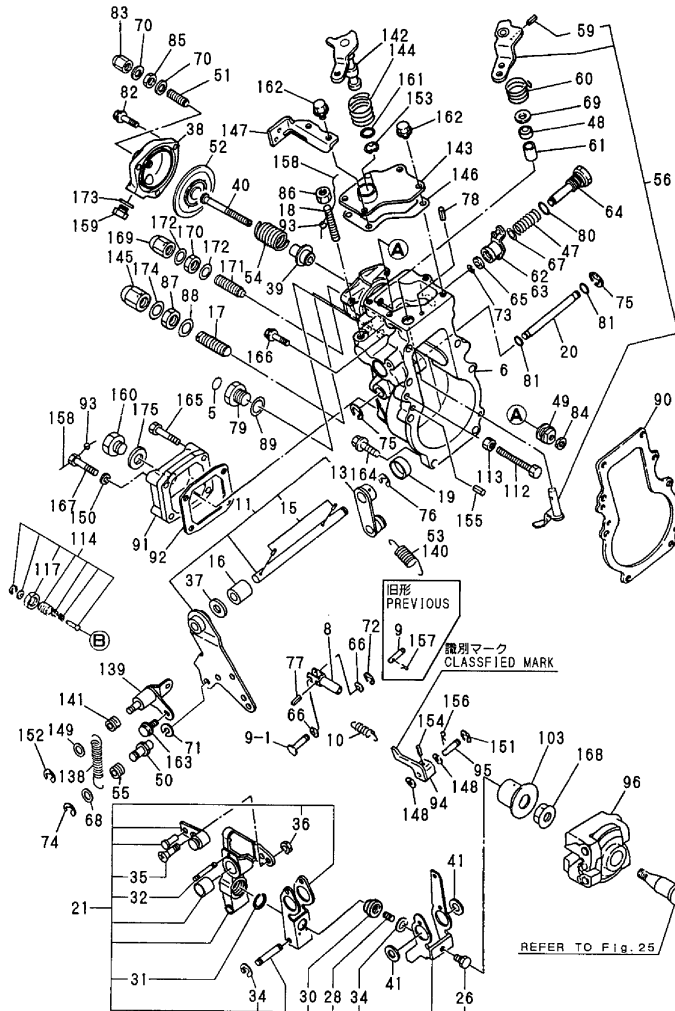
- (1)PITCH 51
- (2)PITCH 52
- (3)PITCH 53
- (4)PITCH 51.5
- (5)PITCH 52.5
- (6)PITCH 53.5

(A)=4LH-UT
 (B)=4LH-UTZAY
 (C)=4LH-UTZ
 (D)=4LH-ST
 (E)=4LH-STZAY
 (F)=4LH-STZ

No.	Lev.	Parts No.	Description	Q'ty						I	R	
				(A)	(B)	(C)	(D)	(E)	(F)			
5	3	124610-51970	LABEL			1						
6	3	119573-61010	CASE, GOVERNOR			1						
8	3	119000-61120	LINK			1						
9	3	119000-61170	PIN, LINK			1						
9-1	3	119595-61170	PIN, LINK (C=*1998.04)			1						N
10	3	119187-61190	SPRING			1						
11	3	119173-61400	LEVER ASSY, CONTROL			1						
13	4	120323-61420	LEVER, GOVERNOR			1						
15	4	22322-030220	PIN, TAPER 3X22			2						
16	3	120323-61430	BUSH			2						
17	3	127695-61450	BOLT, CONTROL			1						
18	3	121850-61470	BOLT, LIMITER			1						
19	3	129795-61470	PLUG, 20			1						
20	3	119000-61490	SHAFT			1						
21	3	119174-61500	LEVER ASSY, GOVERNOR			1						
26	4	127495-61540	SHIFTER			1						
28	4	120130-61600	SPRING, FUEL CONTROL			1						
30	4	119187-61911	RETAINER, SPRING			1						
31	4	119187-61920	CIRCLIP			1						
32	4	119187-61930	PIN			1						
34	4	22272-000040	RING, E- 4			5						
35	4	26577-060162	SCREW, M6X16			1						
36	4	26757-060002	NUT, LOCK M6			1						
37	3	120320-61540	SEAL, SC102004			1						
38	3	129595-61600	CASE			1						
39	3	129595-61610	BUSH			1						
40	3	129595-61620	ROD, SLIDER			1						
41	3	119000-61630	SHIM SET			1						
47	3	119593-61650	SPRING			1						
48	3	148616-61650	SEAL, VC081404			1						
49	3	127495-61660	RING			1						
50	3	121850-61670	BOLT			1						
51	3	129595-61670	BOLT, ADJUSTER			1						
52	3	129595-61680	DIAPHRAGM			1						
53	3	119588-61700	SPRING, GOVERNOR									Z
54	3	119593-61760	SPRING, DIAPHRAGM			1						(F=*2000.08)
55	3	144626-61781	PIECE			1						
56	3	119593-61800	LEVER ASSY, STOP			1						
59	4	22351-030016	PIN, SPRING 3.0X16			1						
60	3	119593-61830	SPRING, RETURN			1						
61	3	127695-61840	BUSH			1						
62	3	119593-61850	LEVER			1						
63	3	119594-61850	LEVER									
64	3	119593-61860	SHAFT			1						
65	3	119593-61890	SPACER			1						
66	3	22117-050000	WASHER, 5			2						
67	3	22117-080000	WASHER, 8			1						
68	3	22117-080000	WASHER, 8			1						
69	3	22137-080000	WASHER, 8			1						

Fig.4. GOVERNOR(4LH-UTZ,STZ)

(A)=4LH-UT
 (B)=4LH-UTZAY
 (C)=4LH-UTZ
 (D)=4LH-ST
 (E)=4LH-STZAY
 (F)=4LH-STZ

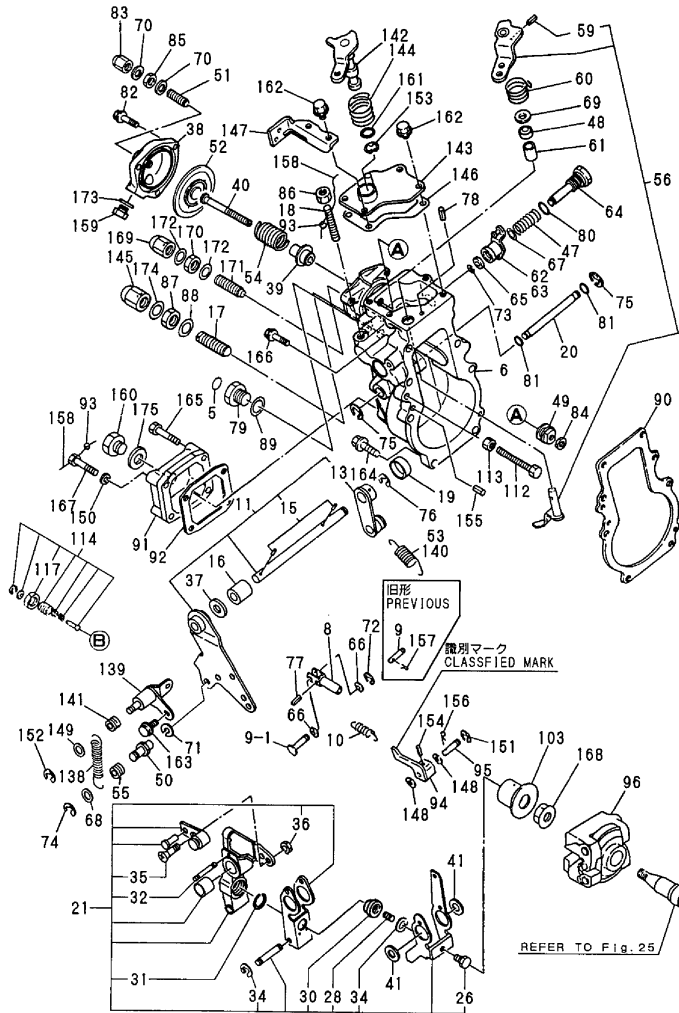


No.	Lev.	Parts No.	Description	Q'ty						I	R	
				(A)	(B)	(C)	(D)	(E)	(F)			
70	3	22190-080000	WASHER, SEAL 8			2					2	
71	3	22217-080000	WASHER, SPRING 8			1					1	
72	3	22272-000040	RING, E- 4			1					1	
73	3	22272-000060	RING, E- 6			1					1	
74	3	22272-000060	RING, E- 6			1					1	
75	3	22272-000080	RING, E- 8			2					2	
76	3	22272-000080	RING, E- 8			1					1	
77	3	22351-030016	PIN, SPRING 3.0X16			1					1	
78	3	22492-060362	PIN, B6X36			1					1	
79	3	23887-160002	PLUG, 16			1					1	
80	3	24311-000120	O-RING, 1AP12.0			1					1	
81	3	24341-000080	O-RING, 1AS8.0			2					2	
82	3	26106-060182	BOLT, M6X 18 PLATED			3					3	
83	3	26667-080002	NUT, CAP M8			1					1	
84	3	26756-060002	NUT, LOCK M6			1					1	
85	3	26756-080002	NUT, LOCK M8			1					1	
86	3	26756-080002	NUT, LOCK M8			1					1	
87	3	26777-120002	NUT, LOCK M12			1					1	
88	3	22190-120002	WASHER, SEAL 12			1					1	
89	3	22190-160002	WASHER, SEAL 16			1					1	
90	2	119000-61051	GASKET			1					1	
90-1	2	119000-61052	GASKET			1					1	R
			(C=*1998.11)									(F=*1998.11)
91	2	119187-61071	COVER, GOVERNOR CASE			1					1	
92	2	127695-61071	GASKET			1					1	
93	2	135210-61090	LEAD			3					3	
94A	2	119593-61100	LINK			1					1	1
94B	2	119593-61110	LINK			1					1	2
94C	2	119593-61120	LINK			1					1	3
94D	2	119593-61130	LINK, 10.5			1					1	W 4
			(C=*1995.10)									(F=*1995.10)
94E	2	119593-61140	LINK, 11.5			1					1	W 5
			(C=*1995.10)									(F=*1995.10)
94F	2	119593-61150	LINK, 12.5			1					1	W 6
			(C=*1995.10)									(F=*1995.10)
95	2	119000-61180	PIN, LINK			1					1	
96	2	119173-61200	WEIGHT ASSY,GOVERNOR			1					1	
103	2	119187-61300	SLEEVE ASSY			1					1	
112	2	171353-61460	BOLT, IDLE			1					1	
113	2	119000-61470	NUT, M6			1					1	
114	2	119174-61550	ANGLEICH ASSY			1					1	
117	3	124616-61580	NUT, LOCK			1					1	
138	2	119173-61650	SPRING			1					1	
138-1	2	119173-61651	SPRING			1					1	N
			(C=E/#40624)									
139	2	119173-61660	SUPPORT, SPRING			1					1	
140	2	119588-61700	SPRING, GOVERNOR			1					1	W
			(F=*2000.08)									
141	2	144626-61781	PIECE			1					1	
142	2	119593-61900	LEVER			1					1	
143	2	119593-61910	COVER			1					1	

Remarks

- (1)PITCH 51
- (2)PITCH 52
- (3)PITCH 53
- (4)PITCH 51.5
- (5)PITCH 52.5
- (6)PITCH 53.5

Fig.4. GOVERNOR(4LH-UTZ,STZ)



(A)=4LH-UT
(B)=4LH-UTZAY
(C)=4LH-UTZ

(D)=4LH-ST
(E)=4LH-STZAY
(F)=4LH-STZ

No.	Lev.	Parts No.	Description	Qty						I	R	
				(A)	(B)	(C)	(D)	(E)	(F)			
144	2	119593-61920	SPRING, RETURN			1					1	
145	2	129100-61930	NUT, CAP			1					1	
146	2	127695-61961	GASKET			1					1	
147	2	119593-61990	SUPPORT, WIRE			1					1	
148	2	22117-050000	WASHER, 5			2					2	
149	2	22117-080000	WASHER, 8			1					1	
150	2	22217-060000	WASHER, SPRING 6			1					1	
151	2	22272-000040	RING, E- 4			1					1	
152	3	22272-000060	RING, E- 6			1					1	
153	2	22272-000100	RING, E-10			1					1	
154	2	22351-030025	PIN, SPRING 3.0X25			1					1	
155	2	22351-050020	PIN, SPRING 5.0X20			2					2	
156	2	22372-050000	PIN, SNAP 5			1					1	
157	2	22417-120120	PIN, COTTER 1.2X12 (C=*1998.04)			1					1	Z
158	2	22453-060000	WIRE, 0.6			3					3	
159	2	23887-100002	PLUG, 10			1					1	
160	2	23887-120002	PLUG, 12			1					1	
161	2	24311-000110	O-RING, 1AP11.0			1					1	
162	2	26106-060122	BOLT, M6X 12 PLATED			4					4	
163	2	26106-060122	BOLT, M6X 12 PLATED			1					1	
164	2	26106-060222	BOLT, M6X 22 PLATED			6					6	
165	2	26106-060302	BOLT, M6X 30 PLATED			3					3	
166	2	26106-060402	BOLT, M6X 40 PLATED			1					1	
167	2	26116-060306	BOLT, M6X 30 PLATED			1					1	
168	2	26376-120002	NUT, M12			1					1	
169	2	26667-080002	NUT, CAP M8			1					1	
170	2	26756-080002	NUT, LOCK M8			1					1	
171	2	26911-080402	SCREW, M8X40			1					1	
172	2	22190-080002	WASHER, SEAL 6			2					2	
173	2	22190-100002	WASHER, SEAL 10			1					1	
174	2	22190-120002	WASHER, SEAL 12			1					1	
175	2	22190-120002	WASHER, SEAL 12			1					1	

Remarks

- (1)PITCH 51
- (2)PITCH 52
- (3)PITCH 53
- (4)PITCH 51.5
- (5)PITCH 52.5
- (6)PITCH 53.5

Parts No. Index

Parts No.	Fig. No.	Ref. No.
119000-51050	1	4
119000-51060	1	6
119000-51151	1	13
119000-51161	1	39
119000-51170	1	68
119000-51181	1	16
119000-51201	1	17
119000-51330	1	28
119000-51410	1	38
119000-51430	1	14
119000-51450	1	40
119000-51510	1	47
119000-51511	1	47 -1
119000-51550	1	50
119000-51570	1	51
119000-51580	1	52
119000-51590	1	53
119000-51650	1	54
119000-51800	1	67
119000-51900	1	69
119000-51911	1	71
119000-61051	2	5
	3	5
	4	90
119000-61052	2	5 -1
	3	5 -1
	4	90 -1
119000-61120	2	11
	3	11
	4	8
119000-61170	2	13
	3	13
	4	9
119000-61180	2	14
	3	14
	4	95
119000-61400	2	32
119000-61430	2	35
119000-61470	2	39
	3	40
	4	113
119000-61490	2	41
	3	43
	4	20
119000-61630	2	57
	3	88
	4	41
119100-51081	1	7
119100-51091	1	8
119100-61570	2	49

Parts No.	Fig. No.	Ref. No.
119173-61200	4	96
119173-61400	3	32
	4	11
119173-61650	4	138
119173-61651	4	138 -1
119173-61660	4	139
119174-61500	4	21
119174-61550	3	61
	4	114
119175-51030	1	88 -1
		89
119175-51070	1	84 -1
119175-51340	1	29 A
119187-51030	1	88
119187-51341	1	29
119187-51500	1	46
119187-61071	3	6
	4	91
119187-61190	2	15
	3	15
	4	10
119187-61201	2	16
	3	16
119187-61300	2	23
	3	23
	4	103
119187-61440	2	36
119187-61650	3	136
119187-61660	3	137
119187-61670	3	138
119187-61911	3	53
	4	30
119187-61920	3	54
	4	31
119187-61930	3	55
	4	32
119195-61500	3	44
119573-51200	1	17 A
119573-61010	3	3
	4	6
119588-61700	4	53
		140
119593-51100	1	10
119593-51300	1	25
119593-51520	1	48
119593-51530	1	49
119593-52000	1	95
119593-61010	2	3
119593-61100	2	9
	3	9

Parts No.	Fig. No.	Ref. No.
119593-61100	4	94 A
119593-61110	2	10
	3	10
	4	94 B
119593-61120	2	12
	3	12
	4	94 C
119593-61130	2	12 A
	3	12 A
	4	94 D
119593-61140	2	12 B
	3	12 B
	4	94 E
119593-61150	2	12 C
	3	12 C
	4	94 F
119593-61500	2	42
119593-61600	2	50
119593-61650	2	63
	3	94
	4	47
119593-61700	2	68
119593-61760	2	69
	3	100
	4	54
119593-61800	2	70
	3	101
	4	56
119593-61830	2	74
	3	105
	4	60
119593-61850	2	76
	4	62
119593-61860	2	77
	3	108
	4	64
119593-61890	2	78
	3	109
	4	65
119593-61900	2	79
	3	110
	4	142
119593-61910	2	80
	3	111
	4	143
119593-61920	2	81
	3	112
	4	144
119593-61990	2	84
	3	115

Parts No.	Fig. No.	Ref. No.
119593-61990	4	147
119594-61601	3	51
119594-61700	3	99
119594-61850	3	107
	4	63
119595-61170	2	13 -1
	3	13 -1
	4	9 -1
120130-61600	4	28
120320-61540	3	60
	4	37
120323-61420	3	34
	4	13
120323-61430	3	37
	4	16
121850-51700	1	66
121850-61470	2	40
	3	41
	4	18
121850-61670	4	50
121952-51900	1	70
		74
122710-51050	1	5
122710-51350	1	37
122710-51920	1	72
124610-51970	2	2
	3	2
	4	5
124616-61580	3	64
	4	117
127495-61540	3	49
	4	26
127495-61660	2	65
	3	96
	4	49
127695-61061	2	6
127695-61071	2	7
	3	7
	4	92
127695-61450	2	37
	3	38
	4	17
127695-61540	2	47
127695-61550	3	134 -1
127695-61560	3	135
127695-61840	2	75
	3	106
	4	61
127695-61961	2	83
	3	114

Parts No. Index

Parts No.	Fig. No.	Ref. No.
127695-61961	4	146
129100-61930	2	82
	3	113
		113 -1
	4	145
129155-51270	1	23
129155-51280	1	24
129595-61600	2	54
	3	85
	4	38
129595-61610	2	55
	3	86
	4	39
129595-61620	2	56
	3	87
	4	40
129595-61670	2	66
	3	97
	4	51
129595-61680	2	67
	3	98
	4	52
129795-61470	3	42
	4	19
135210-61090	2	8
	3	8
	4	93
137600-53900	1	76
144626-51090	1	9
144626-51940	1	73
144626-51950	1	75
144626-61781	4	55
		141
148616-61650	2	64
	3	95
	4	48
171353-61460	2	38
	3	39
	4	112
22117-050000	2	85
	3	116
	4	66
		148
22117-060000	3	163
22117-080000	2	86
	3	117
	4	67
		68
		149
22137-080000	2	87

Parts No.	Fig. No.	Ref. No.
22137-080000	3	118
	4	69
22190-060000	1	77
22190-080000	2	88
	3	119
	4	70
22190-080002	2	126 -1
	3	158
	4	172
22190-100002	2	127 -1
	3	159
	4	173
22190-120002	2	128 -1
		129 -1
	3	160
		161
		161 -1
	4	88
		174
		175
22190-160002	2	130 -1
	3	162
	4	89
22217-060000	2	89
		90
	3	120
	4	150
22217-080000	4	71
22217-100000	2	91
22242-000200	1	15
22272-000040	2	51
		92
	3	57
		121
	4	34
		72
		151
22272-000060	2	93
	3	122
	4	73
		74
		152
22272-000080	2	94
	3	123
		124
	4	75
		76
22272-000100	2	95
	3	125
	4	153

Parts No.	Fig. No.	Ref. No.
22322-030220	3	36
	4	15
22351-020008	1	78
22351-020012	1	87
22351-030016	2	73
		96
	3	104
		126
	4	59
		77
22351-030025	2	97
	3	127
	4	154
22351-050020	2	98
	3	128
	4	155
22372-050000	2	99
	3	129
	4	156
22417-120120	2	100
	3	130
	4	157
22451-100000	2	101
22453-060000	2	101 -1
	3	131
	4	158
22492-060362	2	102
	3	132
	4	78
23414-220029	1	79
23887-100002	2	103
	3	133
	4	159
23887-120002	2	104
	3	134
	4	160
23887-160002	2	105
	3	139
	4	79
24311-000110	2	106
		107
	3	140
	4	161
24311-000120	2	108
	3	141
	4	80
24341-000080	2	109
	3	142
	4	81
24341-000260	1	80

Parts No.	Fig. No.	Ref. No.
24341-000500	1	81
24352-010160	1	82
26106-060122	2	110
		111
	3	143
	4	162
		163
26106-060182	1	83
	2	112
	3	144
	4	82
26106-060202	1	84
26106-060222	2	113
	3	145
	4	164
26106-060302	3	146
	4	165
26106-060402	4	166
26116-060126	2	114
26116-060306	3	148
	4	167
26116-060356	2	115
	3	147
26216-060162	1	85
26366-080002	1	86
26376-120002	2	116
	3	149
	4	168
26577-060162	2	52
	3	58
	4	35
26606-100002	2	117
26667-080002	2	118
		119
	3	150
		151
	4	83
		169
26716-060002	2	53
26756-060002	2	120
	3	152
	4	84
26756-080002	2	121
		122
		123
	3	153
		154
		155
	4	85
		86

Parts No. Index

Parts No.	Fig. No.	Ref. No.
26756-080002	4	170
26757-060002	3	59
	4	36
26777-120002	2	124
	3	156
		156 -1
	4	87
26911-080402	2	125
	3	157
	4	171
43400-500420	2	126
43400-500430	2	127
43400-500450	2	128
		129
43400-500500	2	130
719174-51300	1	1 A
719175-51300	1	1 C
719189-51300	1	1
719195-51300	1	1 B

Parts No.	Fig. No.	Ref. No.
-----------	----------	----------

Parts No.	Fig. No.	Ref. No.
-----------	----------	----------

Parts No.	Fig. No.	Ref. No.
-----------	----------	----------