

0CI00-M23000EN

Contents

Fig. No. Fig. Name

719192-51300

719187-51300

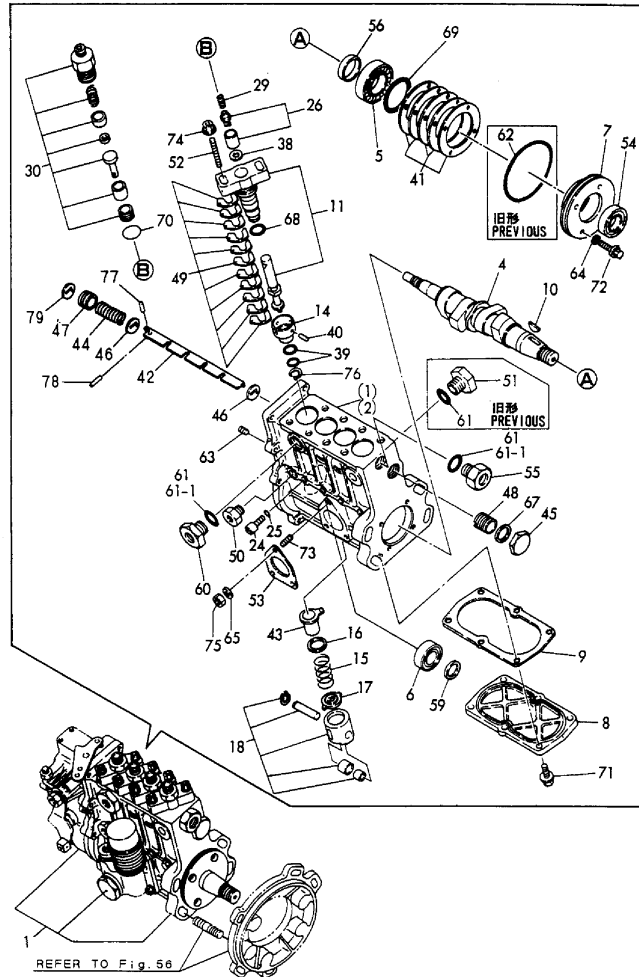
719187-51300

719183-51300

1. FUEL INJECTION PUMP
2. GOVERNOR
3. GOVERNOR(4LH-DTZ)

Fig. No. Fig. Name

Fig.1. FUEL INJECTION PUMP

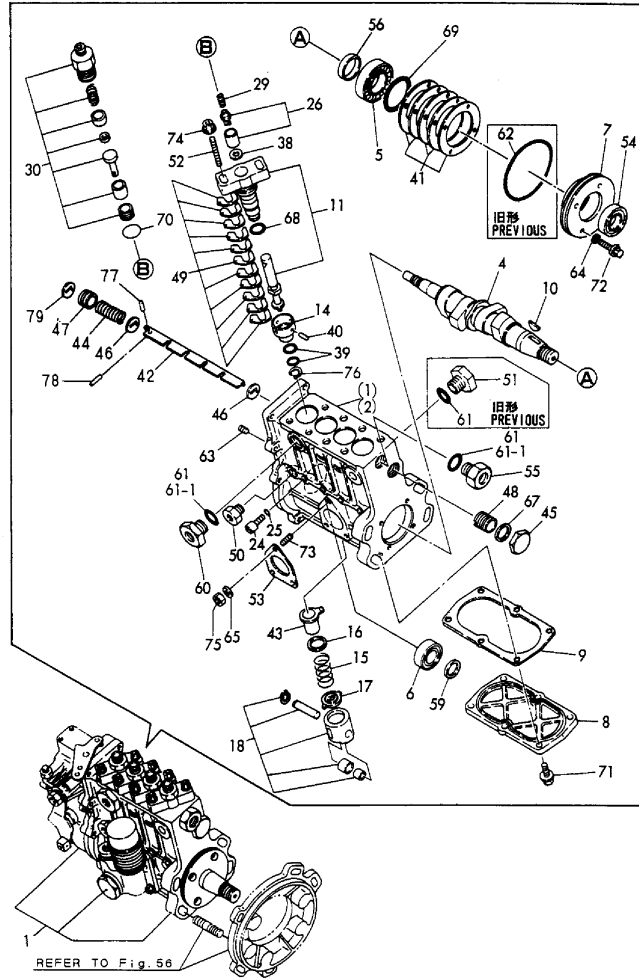


Remarks
 (1)GOVERNOR ASSY IS INCORPORATED
 IN THIS FUEL INJECTION PUMP
 ASSY
 (A)(B)=4LH-HT.
 (C)=4LH-HTZAY.
 (D)=4LH-DTZ.

(A)=719192-51300 (D)=719183-51300
 (B)=719187-51300 (E)=
 (C)=719187-51300 (F)=

No.	Lev.	Parts No.	Description	Qty						I	R
				(A)	(B)	(C)	(D)	(E)	(F)		
1	1	719192-51300	PUMP ASSY, INJECTION	1	1						1
1-1	1	719187-51300	PUMP ASSY, INJECTION	1	1						N 1
(A=E/#20135)											
1A	1	719187-51300	PUMP ASSY, INJECTION			1					1
1B	1	719183-51300	PUMP ASSY, INJECTION				1				1
4	2	119187-51030	CAMSHAFT	1	1	1	1				
4-1	2	119175-51030	CAMSHAFT	1	1	1	1				R
(A=E/#21311) (C=E/#01612) (D=*1998.10)											
5	2	119000-51050	BEARING, HR32005XJ	1	1	1	1				
6	2	122710-51050	BEARING, HR30203J	1	1	1	1				
7	2	119000-51060	SUPPORT, BEARING A	1	1	1	1				
8	2	119100-51080	COVER	1	1	1					
8-1	2	119100-51081	COVER	1	1	1	1				N
(A=E/XXX) (C=E/XXX)											
9	2	119100-51090	GASKET	1	1	1					
9-1	2	119100-51091	GASKET	1	1	1	1				N
(A=E/XXX) (C=E/XXX)											
10	2	144626-51090	KEY, 5X19	1	1	1	1				
11	2	119100-51101	PLUNGER ASSY	4	4	4	4				
14	2	119000-51150	DEFLECTOR	4	4	4	4				
14-1	2	119000-51151	DEFLECTOR	4	4	4	4				N
(A=E/#20437) (C=E/#00489) (D=E/#00413)											
15	2	119000-51161	SPRING, PLUNGER	4	4	4	4				
16	2	119000-51170	SEAT, SPRING A	4	4	4	4				
17	2	119000-51181	SEAT, SPRING B	4	4	4	4				
18	2	119000-51201	TAPPET ASSY	4	4	4	4				
24	2	129155-51270	STOPPER, TAPPET	4	4	4	4				
25	2	129155-51280	O-RING, S6	4	4	4	4				
26	2	120130-51300	VALVE ASSY, DELIVERY	4	4	4	4				
26-1	2	128400-51300	VALVE ASSY, DELIVERY	4	4	4	4				N
(A=E/#20135) (C=E/#00136) (D=E/#00338)											
29	2	119000-51330	SPRING, DELIVERY	4	4	4	4				
30	2	119187-51341	HOLDER, DELY. VALVE	4	4	4	4				
38	2	122710-51350	GASKET	4	4	4	4				
39	2	119000-51410	O-RING, S18	8	8	8	8				
40	2	119000-51430	PIN	4	4	4	4				
41	2	119000-51450	SHIM SET, CAMSHAFT	1	1	1	1				
42	2	119100-51500	RACK, CONTROL	1	1	1	1				
42-1	2	119187-51500	RACK, CONTROL	1	1	1	1				N
(A=E/#20594) (C=E/#00692) (D=E/#00654)											
43	2	119000-51510	SLEEVE, CONTROL	4	4	4	4				
43-1	2	119000-51511	SLEEVE, CONTROL	4	4	4	4				R
(A=E/#21311) (C=E/#01612) (D=*1998.10)											
44	2	119000-51530	SPRING, RACK	1	1	1	1				
45	2	119000-51550	COVER	1	1	1	1				
46	2	119000-51570	GUIDE, RACK	2	2	2	2				
47	2	119000-51580	SCREW	1	1	1	1				
48	2	119000-51590	SCREW	1	1	1	1				
49	2	119000-51650	SHIM SET, ADJUSTING	8	8	8	8				
50	2	121850-51700	BUSH	1	1	1	1				
51	2	152623-51720	PLUG	1	1	1	1				Z

Fig.1. FUEL INJECTION PUMP



(A)=719192-51300
(B)=719187-51300
(C)=719187-51300

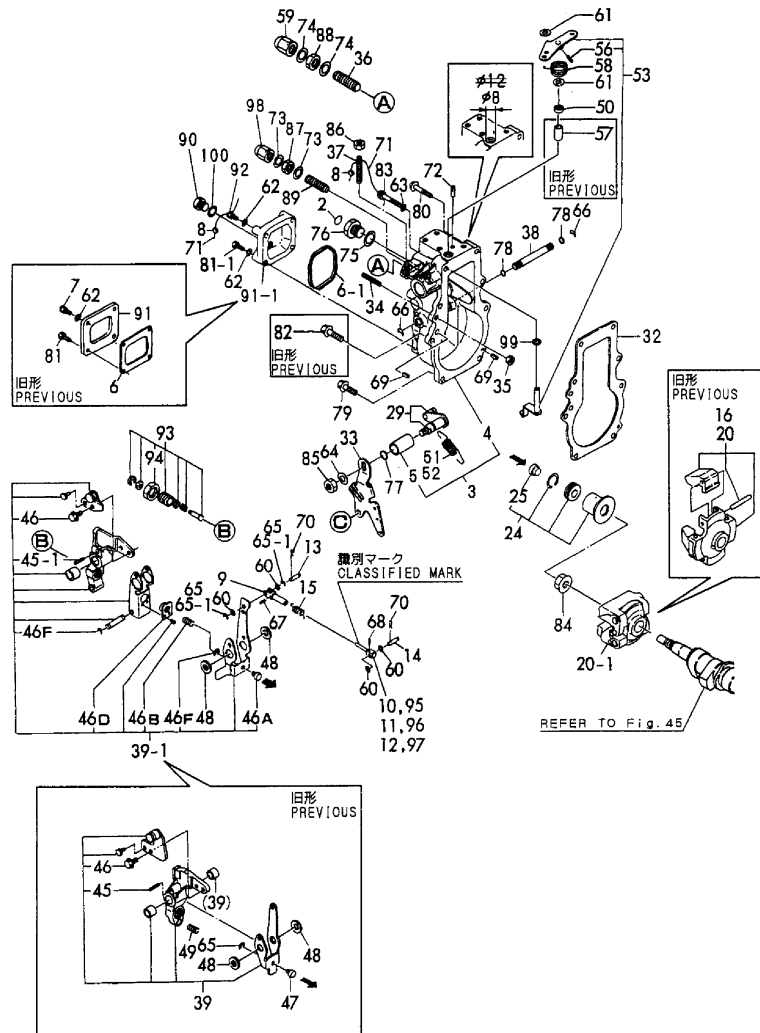
(D)=719183-51300
(E)=
(F)=

No.	Lev.	Parts No.	Description	Q'ty						I	R
				(A)	(B)	(C)	(D)	(E)	(F)		
		(A=E/#20189)	(C=E/#00218)	(D=E/#00338)							
52	2	119000-51800	BOLT	8	8	8	8				
53	2	124410-51860	GASKET	1	1	1	1				
53-1	2	124410-51861	GASKET	1	1	1	1				N
		(A=E/#20509)	(C=E/#00570)	(D=E/#00471)							
54	2	119000-51900	SEAL, AC1290E0	1	1	1	1				
55	2	121952-51900	PLUG	1	1	1	1				
56	2	119000-51911	SPACER, CAMSHAFT	1	1	1	1				
59	2	122710-51920	SPACER	1	1	1	1				
60	2	144626-51940	PLUG	1	1	1	1				
61	2	144626-51950	O-RING, 1016	3	3	3	3				
61-1	2	144626-51950	O-RING, 1016	2	2	2	2				K
		(A=E/#20189)	(C=E/#00218)	(D=E/#00338)							
62	2	124410-51960	O-RING	1	1	1	1				Z
		(A=E/XXX)	(C=E/XXX)	(D=E/XXX)							
63	2	137600-53900	SCREW, M6X6	1	1	1	1				
64	2	22190-060000	WASHER, SEAL 6	4	4	4	4				
65	2	22217-060000	WASHER, SPRING 6	3	3	3	3				
67	2	23414-220029	GASKET, 22X1.0	1	1	1	1				
68	2	24341-000260	O-RING, 1AS26.0	4	4	4	4				
69	2	24341-000500	O-RING, 1AS50.0	1	1	1	1				
70	2	24352-010160	O-RING	4	4	4	4				
71	2	26106-060182	BOLT, M6X 18 PLATED	6	6	6	6				
72	2	26106-060202	BOLT, M6X 20 PLATED	4	4	4	4				
72-1	2	119175-51070	BOLT, M6X20	4	4	4	4				N
		(A=E/#21230)	(C=E/#01552)	(D=E/#01084)							
73	2	26216-060162	STUD, M6X 16	3	3	3	3				
74	2	26366-080002	NUT, M8	8	8	8	8				
75	2	26716-060002	NUT, M6	3	3	3	3				
76	2	22242-000200	RING, 20	4	4	4	4				W
		(A=E/#20437)	(C=E/#00489)	(D=E/#00413)							
77	2	22351-020008	PIN, SPRING 2.0X 8	1	1	1	1				
78	2	22351-020012	PIN, SPRING 2.0X12	1	1	1	1				
79	2	119593-51520	WASHER	1	1	1	1				

Remarks
(1)GOVERNOR ASSY IS INCORPORATED
IN THIS FUEL INJECTION PUMP
ASSY
(A)(B)=4LH-HT.
(C)=4LH-HTZAY.
(D)=4LH-DTZ.

Fig.2. GOVERNOR

(A)=4LH-HT (D)=4LH-DTZ
 (B)=4LH-HTZ (E)=
 (C)=4LH-HTZAY (F)=

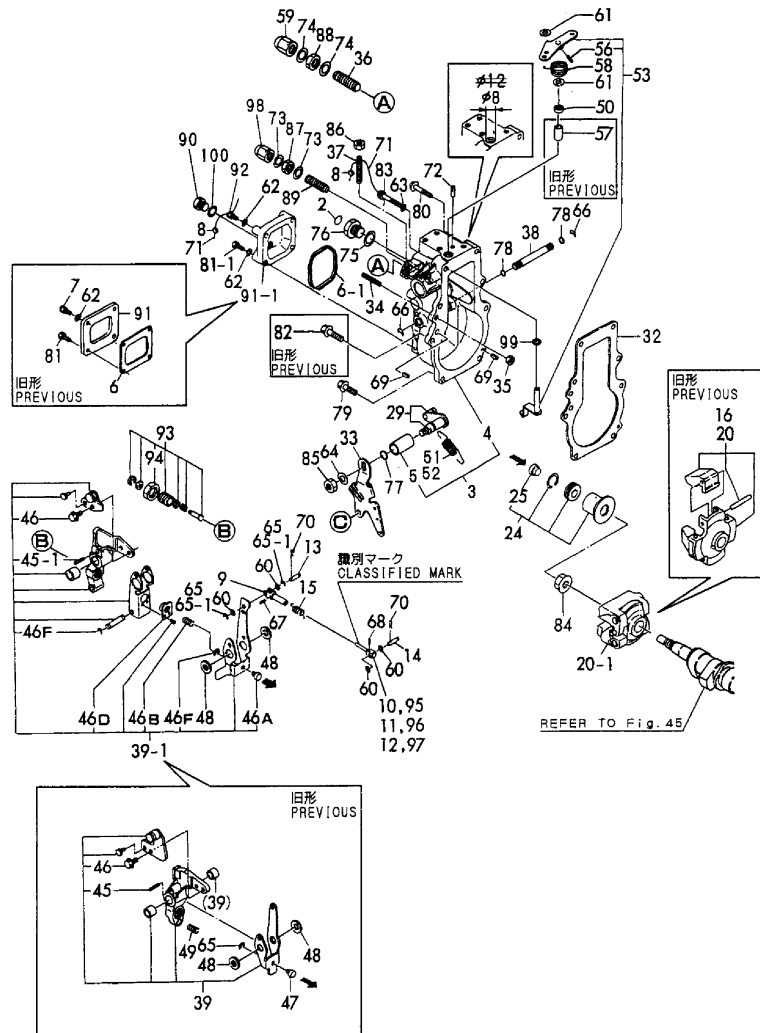


No.	Lev.	Parts No.	Description	Qty						I	R
				(A)	(B)	(C)	(D)	(E)	(F)		
2	1	124610-51970	LABEL	1	1						
3	1	119100-61010	HOUSING, GOVERNOR	1	1						
3-1	1	119000-61011	CASE, GOVERNOR	1	1						S
3-2	1	119187-61020	CASE ASSY, GOVERNOR	1	1						R
4	2	119000-61011	CASE, GOVERNOR	1	1						
5	2	119000-61430	BUSH	1	1						
6	1	119000-61070	GASKET	1	1						
6-1	1	120323-61070	GASKET	1	1						S
7	1	129155-61090	BOLT	1	1						Z
8	1	135210-61090	LEAD	3	3						
8-1	1	135210-61090	LEAD	2	2						K
9	1	119000-61120	LINK	1	1						2
10	1	119000-61140	LINK, MARK-1 L=40	1	1						1
11	1	119000-61150	LINK, MARK-2 L=42	1	1						1
12	1	119000-61160	LINK, MARK-3 L=44	1	1						1
13	1	119000-61170	PIN, LINK	1	1						
14	1	119000-61180	PIN, LINK	1	1						
15	1	119000-61190	SPRING	1	1						
15-1	1	119187-61190	SPRING	1	1						N
16	1	119000-61200	WEIGHT ASSY,GOVERNOR	1							Z
20	1	119187-61200	WEIGHT ASSY,GOVERNOR								1
20-1	1	119187-61201	WEIGHT ASSY,GOVERNOR	1	1						S
24	1	119000-61300	SLEEVE ASSY, L=30	1	1						
24-1	1	119187-61300	SLEEVE ASSY	1	1						N
25A	2	119000-61310	SHIFTER	1	1						2
25B	2	119593-61310	SHIFTER	1	1						W 2
25C	2	119192-61310	SHIFTER	1	1						W 2
25D	2	119192-61320	SHIFTER	1	1						W 2
25E	2	119192-61330	SHIFTER	1	1						W 2
29	1	119000-61400	SHAFT ASSY	1	1						
32	1	119000-61050	GASKET	1	1						
32-1	1	119000-61051	GASKET	1	1						N
32-2	1	119000-61052	GASKET	1	1						R
33	1	119100-61440	LEVER, GOVERNOR	1	1						
33-1	1	119187-61440	LEVER, CONTROL	1	1						N

Remarks
 (1)SELECTIVE PARTS : CERTAIN THE CLASSIFICATION MARK , THEN PLACE YOUR ORDER.(REFER TO ILLUSTRATION)
 (2)SELECT PART

Fig.2. GOVERNOR

(A)=4LH-HT
 (B)=4LH-HTZ
 (C)=4LH-HTZAY
 (D)=4LH-DTZ
 (E)=
 (F)=



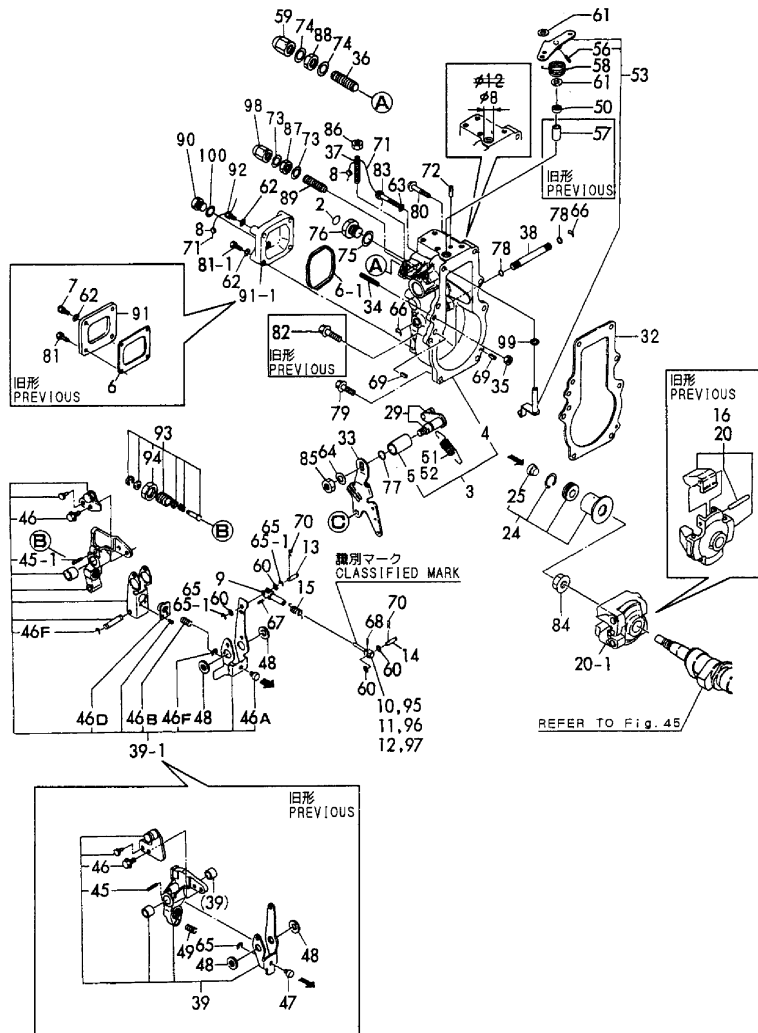
No.	Lev.	Parts No.	Description	Qty						I	R
				(A)	(B)	(C)	(D)	(E)	(F)		
34	1	129155-61450	BOLT, LIMITER	1	1						
34-1	1	129470-61450	BOLT, LIMITER	1	1						N
		(A=E/XXX) (C=E/XXX)									
34-2	1	129155-61460	BOLT, IDLE	1	1						N
		(A=E/#20711) (C=E/#00785)									
35	1	119000-61470	NUT, M6	1	1						
36	1	120323-61470	BOLT, CONTROL	1	1						
37	1	121850-61470	BOLT, LIMITER	1	1						
37-1	1	121855-61910	BOLT, LIMITER	1	1						R
		(A=E/#20171) (C=E/#00211)									
38	1	119000-61490	SHAFT	1	1						
39	1	119100-61500	LEVER ASSY, GOVERNOR	1	1						
39-1	1	119187-61500	LEVER ASSY, GOVERNOR	1	1						S
		(A=E/#20135) (C=E/#00136)									
45	2	119100-61570	PIN	1	1						
45-1	2	119187-61930	PIN	1	1						W
		(A=E/#20135) (C=E/#00136)									
46	2	26106-060122	BOLT, M6X 12 PLATED	1	1						
46A	2	119187-61310	SHIFTER	1	1						W
		(A=E/#20135) (C=E/#00136)									
46B	2	119187-61612	SPRING, FUEL CONTROL	1	1						W
		(A=E/#20135) (C=E/#00136)									
46D	2	119187-61910	RETAINER	1	1						W
		(A=E/#20135) (C=E/#00136)									
46D-1	2	119187-61911	RETAINER, SPRING	1	1						N
		(A=E/#20711) (C=E/#00785)									
46F	2	22272-000040	RING, E- 4	5	5						W
		(A=E/#20135) (C=E/#00136)									
47	1	124616-61540	SHIFTER	1	1						Z
		(A=E/#20135) (C=E/#00136)									
48	1	119000-61630	SHIM SET	2	2						
49	1	119100-61600	SPRING, FUEL CONTROL	1	1						Z
		(A=E/#20135) (C=E/#00136)									
50	1	148616-61650	SEAL, VC081404	1	1						
51	1	119187-61700	SPRING, GOVERNOR			1					Z
		(C=E/XXX)									
52	1	119192-61700	SPRING, GOVERNOR	1							
52-1	1	119187-61710	SPRING, GOVERNOR	1	1						N
		(A=E/XXX) (C=E/XXX)									
52-2	1	119000-61700	SPRING, GOVERNOR	1	1						N
		(A=*1993.02)									
53	1	119100-61771	LEVER ASSY, STOP	1	1						
53-1	1	119187-61830	LEVER ASSY, STOP	1	1						N
		(A=E/#20135) (C=E/#00136)									
53-2	1	119100-61771	LEVER ASSY, STOP	1	1						R
		(A=E/#20319) (C=E/#00371)									
56	2	22351-030016	PIN, SPRING 3.0X16	1	1						
57	1	119000-61841	BUSH	1	1						Z
		(A=*1992.01) (C=*1992.01)									
58	1	119100-61860	SPRING, RETURN	1	1						
59	1	129100-61930	NUT, CAP	1	1						

Remarks

- (1)SELECTIVE PARTS : CERTAIN THE CLASSIFICATION MARK , THEN PLACE YOUR ORDER.(REFER TO ILLUSTRATION)
- (2)SELECT PART

Fig.2. GOVERNOR

(A)=4LH-HT
 (B)=4LH-HTZ
 (C)=4LH-HTZAY
 (D)=4LH-DTZ
 (E)=
 (F)=



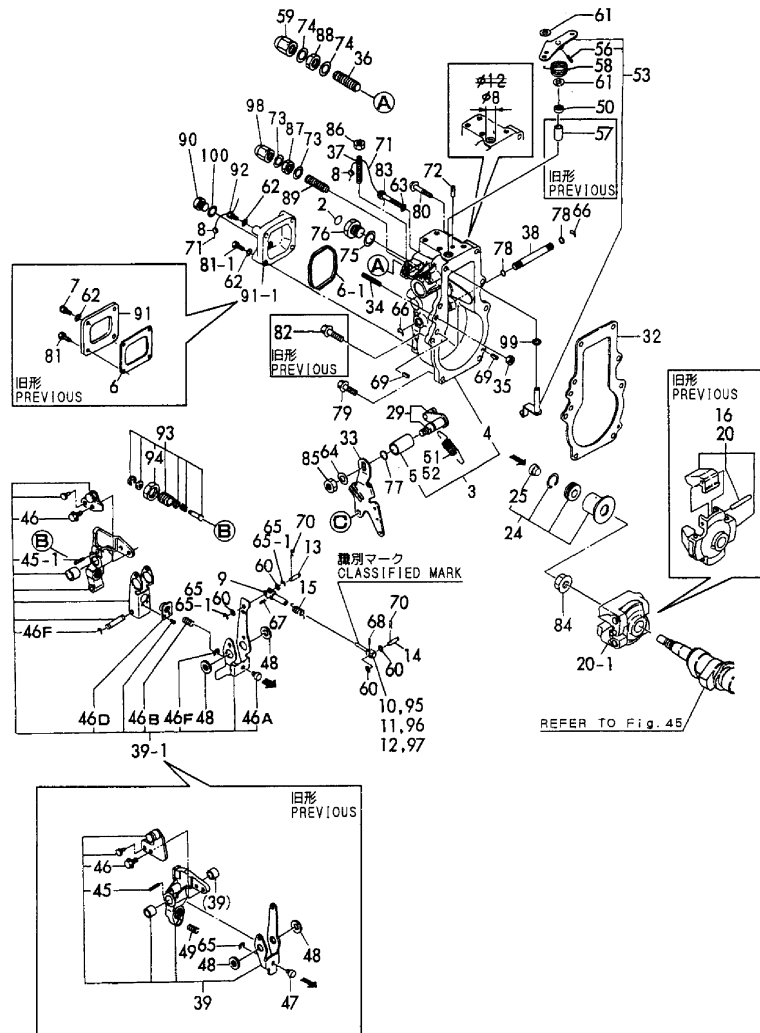
No.	Lev.	Parts No.	Description	Qty						I	R
				(A)	(B)	(C)	(D)	(E)	(F)		
60	1	22117-050000	WASHER, 5	4		4					
61	1	22137-080000	WASHER, 8	2		2					
61-1	1	22137-080000	WASHER, 8	1		1					K
62	1	22217-050000	WASHER, SPRING 5	4		4					
63	1	22217-060000	WASHER, SPRING 6	2		2					
63-1	1	22217-060000	WASHER, SPRING 6	1		1					K
64	1	22217-100000	WASHER, SPRING 10	1		1					
65	1	22272-000040	RING, E- 4	3		3					
65-1	1	22272-000040	RING, E- 4	2		2					K
66	1	22272-000080	RING, E- 8	2		2					
67	1	22351-030016	PIN, SPRING 3.0X16	1		1					
68	1	22351-030025	PIN, SPRING 3.0X25	1		1					
69	1	22351-050020	PIN, SPRING 5.0X20	2		2					
70	1	22360-050000	SNAP PIN 5	2		2					
70-1	1	22372-050000	PIN, SNAP 5	1		1					N
70A	1	22417-120120	PIN, COTTER 1.2X12	1		1					W
71	1	22451-100000	WIRE, 1.0	2		2					
71-1	1	22453-060000	WIRE, 0.6	2		2					N
72	1	22492-060262	PIN 6X 26	1		1					
72-1	1	22492-060362	PIN, B6X36	1		1					R
73	1	22190-080002	WASHER, SEAL 6	2		2					
74	1	22190-120002	WASHER, SEAL 12	2		2					
75	1	22190-160002	WASHER, SEAL 16	1		1					
76	1	23887-160002	PLUG, 16	1		1					
77	1	24311-000110	O-RING, 1AP11.0	1		1					
78	1	24341-000080	O-RING, 1AS8.0	2		2					
79	1	26106-060222	BOLT, M6X 22 PLATED	4		4					
79-1	1	26106-060222	BOLT, M6X 22 PLATED	6		6					K
80	1	26106-060352	BOLT, M6X 35 PLATED	1		1					
81	1	26116-050102	BOLT, M5X 10 PLATED	3		3					
81-1	1	26116-050302	BOLT, M5X 30 PLATED	4		4					S
82	1	26116-060256	BOLT, M6X 25 PLATED	1		1					Z
83	1	26116-060356	BOLT, M6X 35 PLATED	1		1					
84	1	26376-120002	NUT, M12	1		1					
85	1	26736-100002	NUT, M10	1		1					
85-1	1	26606-100002	NUT, M10	1		1					R
86	1	26757-080002	NUT, LOCK M8	1		1					
86-1	1	26756-080002	NUT, LOCK M8	1		1					N
87	1	26757-080002	NUT, LOCK M8	1		1					

Remarks

- (1)SELECTIVE PARTS : CERTAIN THE CLASSIFICATION MARK , THEN PLACE YOUR ORDER.(REFER TO ILLUSTRATION)
- (2)SELECT PART

Fig.2. GOVERNOR

(A)=4LH-HT
 (B)=4LH-HTZ
 (C)=4LH-HTZAY
 (D)=4LH-DTZ
 (E)=
 (F)=

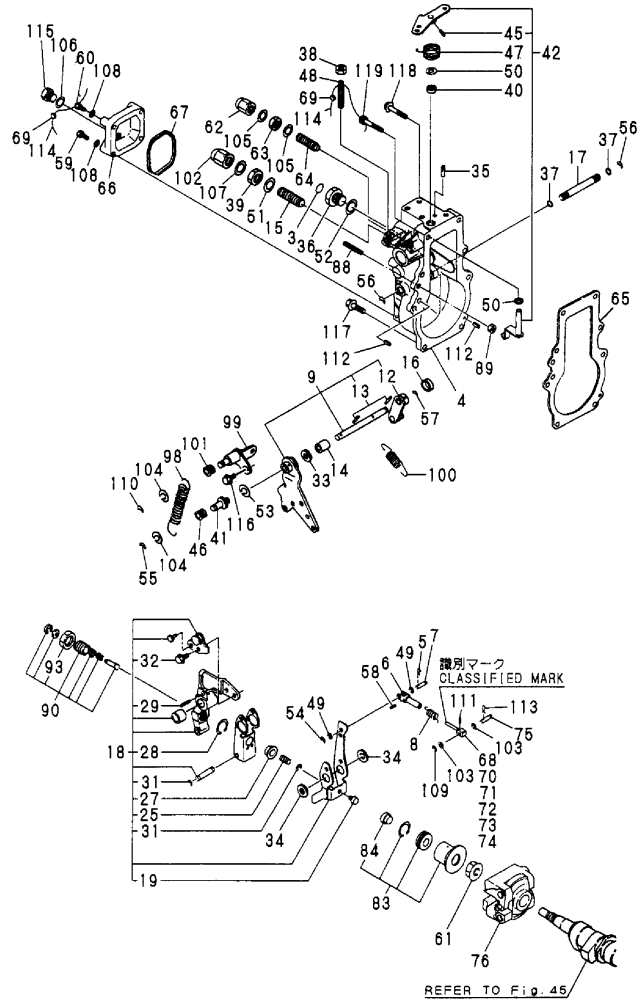


No.	Lev.	Parts No.	Description	Q'ty						I	R
				(A)	(B)	(C)	(D)	(E)	(F)		
87-1	1	26756-080002 (A=E/#20672)	NUT, LOCK M8 (C=E/#00774)	1		1					N
88	1	26777-120002	NUT, LOCK M12	1		1					
89	1	26911-080322	SCREW, M8X32	1		1					
90	1	23887-120002 (A=E/#20163)	PLUG, 12 (C=E/#00177)	1		1					W
91	1	119000-61060	COVER, GOVERNOR CASE	1		1					
91-1	1	119187-61071 (A=E/#20189)	COVER, GOVERNOR CASE (C=E/#00218)	1		1					S
92	1	26116-050306	BOLT, M5X 30 PLATED	1		1					
93	1	119187-61551 (A=E/#20135)	ANGLEICH ASSY (C=E/#00136)	1		1					W
94	2	124616-61580 (A=E/XXX)	NUT, LOCK (C=E/XXX)	1		1					W
95	1	119000-61090 (A=E/#20107)	LINK, MARK-A L=41 (C=E/#00145)	1		1					W 1
96	1	119000-61100 (A=E/#20107)	LINK, MARK-B L=43 (C=E/#00145)	1		1					W 1
97	1	119000-61110 (A=E/#20107)	LINK, MARK-4 L=45 (C=E/#00145)	1		1					W 1
98	1	152623-51560	NUT	1		1					
98-1	1	26666-080002 (A=E/#20406)	NUT, CAP M8 (C=E/#00464)	1		1					N
98-2	1	26667-080002 (A=E/XXX)	NUT, CAP M8 (C=E/XXX)	1		1					R
99	1	22137-080000 (A=*1992.01)	WASHER, 8 (C=*1992.01)	1		1					W
100	1	23414-120016 (A=E/#20163)	GASKET, 12X1.0 (C=E/#00177)	1		1					W

Remarks

- (1)SELECTIVE PARTS : CERTAIN THE CLASSIFICATION MARK , THEN PLACE YOUR ORDER.(REFER TO ILLUSTRATION)
- (2)SELECT PART

Fig.3. GOVERNOR(4LH-DTZ)



(A)=4LH-HT
(B)=4LH-HTZ
(C)=4LH-HTZAY

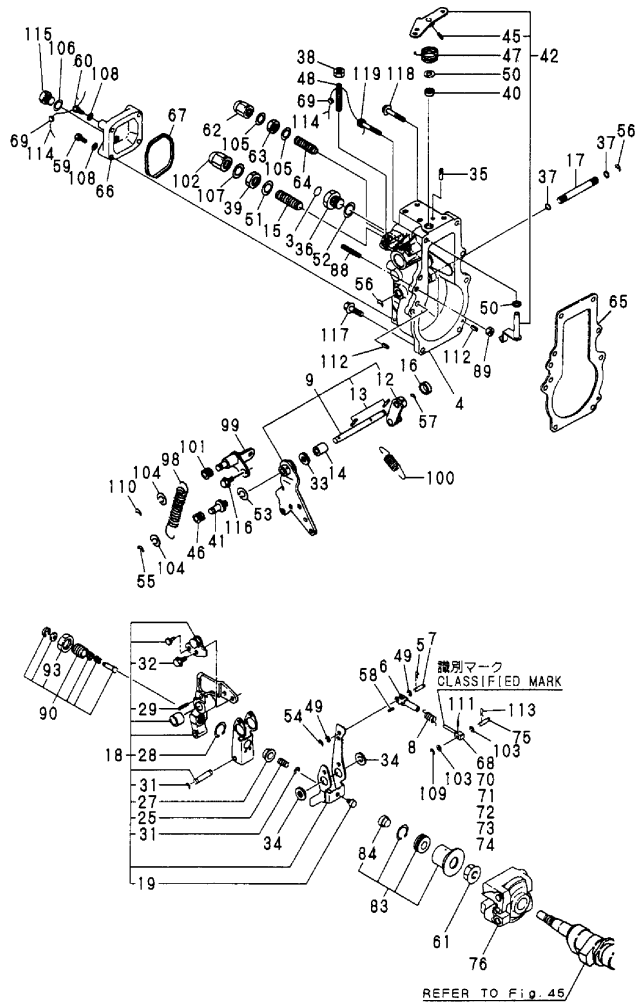
(D)=4LH-DTZ
(E)=
(F)=

No.	Lev.	Parts No.	Description	Q'ty						I	R
				(A)	(B)	(C)	(D)	(E)	(F)		
3	3	124610-51970	LABEL				1				
4	3	119173-61010	CASE, GOVERNOR				1				
5	3	22417-120120	PIN, COTTER 1.2X12				1				
6	3	119000-61120	LINK				1				
7	3	119000-61170	PIN, LINK				1				
8	3	119187-61190	SPRING				1				
9	3	119173-61400	LEVER ASSY, CONTROL				1				
12	4	119173-61440	LEVER, CONTROL				1				
13	4	22322-030220	PIN, TAPER 3X22				2				
14	3	120323-61430	BUSH				2				
15	3	120323-61470	BOLT, CONTROL				1				
16	3	129795-61470	PLUG, 20				1				
17	3	119000-61490	SHAFT				1				
18	3	119187-61500	LEVER ASSY, GOVERNOR				1				
19	4	119187-61310	SHIFTER				1				
25	4	119187-61612	SPRING, FUEL CONTROL				1				
27	4	119187-61911	RETAINER, SPRING				1				
28	4	119187-61920	CIRCLIP				1				
29	4	119187-61930	PIN				1				
31	4	22272-000040	RING, E- 4				5				
32	4	26106-060122	BOLT, M6X 12 PLATED				1				
33	3	120320-61540	SEAL, SC102004				1				
34	3	119000-61630	SHIM SET				1				
35	3	22492-060362	PIN, B6X36				1				
36	3	23887-160002	PLUG, 16				1				
37	3	24341-000080	O-RING, 1AS8.0				2				
38	3	26756-080002	NUT, LOCK M8				1				
39	3	26777-120002	NUT, LOCK M12				1				
40	3	148616-61650	SEAL, VC081404				1				
41	3	121850-61670	BOLT				1				
42	3	119100-61771	LEVER ASSY, STOP				1				
45	4	22351-030016	PIN, SPRING 3.0X16				1				
46	3	144626-61781	PIECE				1				
47	3	119100-61860	SPRING, RETURN				1				
48	3	121855-61910	BOLT, LIMITER				1				
49	3	22117-050000	WASHER, 5				2				
50	3	22137-080000	WASHER, 8				2				
51	3	22190-120002	WASHER, SEAL 12				2				
52	3	22190-160002	WASHER, SEAL 16				1				
53	3	22217-080000	WASHER, SPRING 8				1				
54	3	22272-000040	RING, E- 4				1				
55	3	22272-000060	RING, E- 6				1				
56	3	22272-000080	RING, E- 8				2				
57	3	22272-000080	RING, E- 8				1				
58	3	22351-030016	PIN, SPRING 3.0X16				1				
59	2	26116-050302	BOLT, M5X 30 PLATED				3				
60	2	26116-050306	BOLT, M5X 30 PLATED				1				
61	2	26376-120002	NUT, M12				1				
62	2	26667-080002	NUT, CAP M8				1				
63	2	26756-080002	NUT, LOCK M8				1				
64	2	26911-080322	SCREW, M8X32				1				

Remarks

- (1)SELECTIVE PARTS : CERTAIN THE CLASSIFICATION MARK , THEN PLACE YOUR ORDER.(REFER TO ILLUSTRATION)
- (2)SELECT PART

Fig.3. GOVERNOR(4LH-DTZ)



(A)=4LH-HT
(B)=4LH-HTZ
(C)=4LH-HTZAY

(D)=4LH-DTZ
(E)=
(F)=

No.	Lev.	Parts No.	Description	Q'ty						I	R
				(A)	(B)	(C)	(D)	(E)	(F)		
65	2	119000-61052	GASKET				1				
66	2	119187-61071	COVER, GOVERNOR CASE				1				
67	2	120323-61070	GASKET				1				
68	2	119000-61090	LINK, MARK-A L=41				1				1
69	2	135210-61090	LEAD				2				
70	2	119000-61100	LINK, MARK-B L=43				1				1
71	2	119000-61110	LINK, MARK-4 L=45				1				1
72	2	119000-61140	LINK, MARK-1 L=40				1				1
73	2	119000-61150	LINK, MARK-2 L=42				1				1
74	2	119000-61160	LINK, MARK-3 L=44				1				1
75	2	119000-61180	PIN, LINK				1				
76	2	119173-61200	WEIGHT ASSY,GOVERNOR				1				
83	2	119187-61300	SLEEVE ASSY				1				
84	3	119000-61310	SHIFTER				1				2
84A	3	119192-61310	SHIFTER				1				2
84B	3	119593-61310	SHIFTER				1				2
84C	3	119192-61320	SHIFTER				1				2
84D	3	119192-61330	SHIFTER				1				2
88	2	129155-61460	BOLT, IDLE				1				
89	2	119000-61470	NUT, M6				1				
90	2	119187-61551	ANGLEICH ASSY				1				
93	3	124616-61580	NUT, LOCK				1				
98	2	119173-61651	SPRING				1				
99	2	119173-61660	SUPPORT, SPRING				1				
100	2	120323-61710	SPRING, GOVERNOR				1				
101	2	144626-61781	PIECE				1				
102	2	129100-61930	NUT, CAP				1				
103	2	22117-050000	WASHER, 5				2				
104	2	22117-080000	WASHER, 8				2				
105	2	22190-080002	WASHER, SEAL 6				2				
106	2	22190-120002	WASHER, SEAL 12				1				
107	2	22190-120002	WASHER, SEAL 12				1				
108	2	22217-050000	WASHER, SPRING 5				4				
109	2	22272-000040	RING, E- 4				1				
110	2	22272-000060	RING, E- 6				1				
111	2	22351-030025	PIN, SPRING 3.0X25				1				
112	2	22351-050020	PIN, SPRING 5.0X20				2				
113	2	22372-050000	PIN, SNAP 5				1				
114	2	22453-060000	WIRE, 0.6				2				
115	2	23887-120002	PLUG, 12				1				
116	2	26106-060122	BOLT, M6X 12 PLATED				1				
117	2	26106-060222	BOLT, M6X 22 PLATED				6				
118	2	26106-060352	BOLT, M6X 35 PLATED				1				
119	2	26106-060402	BOLT, M6X 40 PLATED				1				

Remarks

(1)SELECTIVE PARTS : CERTAIN THE CLASSIFICATION MARK , THEN PLACE YOUR ORDER.(REFER TO ILLUSTRATION)

(2)SELECT PART

Parts No. Index

Parts No.	Fig. No.	Ref. No.
119000-51050	1	5
119000-51060	1	7
119000-51150	1	14
119000-51151	1	14 -1
119000-51161	1	15
119000-51170	1	16
119000-51181	1	17
119000-51201	1	18
119000-51330	1	29
119000-51410	1	39
119000-51430	1	40
119000-51450	1	41
119000-51510	1	43
119000-51511	1	43 -1
119000-51530	1	44
119000-51550	1	45
119000-51570	1	46
119000-51580	1	47
119000-51590	1	48
119000-51650	1	49
119000-51800	1	52
119000-51900	1	54
119000-51911	1	56
119000-61011	2	3 -1 4
119000-61050	2	32
119000-61051	2	32 -1
119000-61052	2	32 -2
	3	65
119000-61060	2	91
119000-61070	2	6
119000-61090	2	95
	3	68
119000-61100	2	96
	3	70
119000-61110	2	97
	3	71
119000-61120	2	9
	3	6
119000-61140	2	10
	3	72
119000-61150	2	11
	3	73
119000-61160	2	12
	3	74
119000-61170	2	13
	3	7
119000-61180	2	14
	3	75
119000-61190	2	15

Parts No.	Fig. No.	Ref. No.
119000-61200	2	16
119000-61300	2	24
119000-61310	2	25 A
	3	84
119000-61400	2	29
119000-61430	2	5
119000-61470	2	35
	3	89
119000-61490	2	38
	3	17
119000-61630	2	48
	3	34
119000-61700	2	52 -2
119000-61841	2	57
119100-51080	1	8
119100-51081	1	8 -1
119100-51090	1	9
119100-51091	1	9 -1
119100-51101	1	11
119100-51500	1	42
119100-61010	2	3
119100-61440	2	33
119100-61500	2	39
119100-61570	2	45
119100-61600	2	49
119100-61771	2	53
	3	53 -2 42
119100-61860	2	58
	3	47
119173-61010	3	4
119173-61200	3	76
119173-61400	3	9
119173-61440	3	12
119173-61651	3	98
119173-61660	3	99
119175-51030	1	4 -1
119175-51070	1	72 -1
119187-51030	1	4
119187-51341	1	30
119187-51500	1	42 -1
119187-61020	2	3 -2
119187-61071	2	91 -1
	3	66
119187-61190	2	15 -1
	3	8
119187-61200	2	20
119187-61201	2	20 -1
119187-61300	2	24 -1
	3	83

Parts No.	Fig. No.	Ref. No.
119187-61310	2	46 A
	3	19
119187-61440	2	33 -1
119187-61500	2	39 -1
	3	18
119187-61551	2	93
	3	90
119187-61612	2	46 B
	3	25
119187-61700	2	51
119187-61710	2	52 -1
119187-61830	2	53 -1
119187-61910	2	46 D
119187-61911	2	46 D-1
	3	27
119187-61920	3	28
119187-61930	2	45 -1
	3	29
119192-61310	2	25 C
	3	84 A
119192-61320	2	25 D
	3	84 C
119192-61330	2	25 E
	3	84 D
119192-61700	2	52
119593-51520	1	79
119593-61310	2	25 B
	3	84 B
120130-51300	1	26
120320-61540	3	33
120323-61070	2	6 -1
	3	67
120323-61430	3	14
120323-61470	2	36
	3	15
120323-61710	3	100
121850-51700	1	50
121850-61470	2	37
121850-61670	3	41
121855-61910	2	37 -1
	3	48
121952-51900	1	55
122710-51050	1	6
122710-51350	1	38
122710-51920	1	59
124410-51860	1	53
124410-51861	1	53 -1
124410-51960	1	62
124610-51970	2	2
	3	3

Parts No.	Fig. No.	Ref. No.
124616-61540	2	47
124616-61580	2	94
	3	93
128400-51300	1	26 -1
129100-61930	2	59
	3	102
129155-51270	1	24
129155-51280	1	25
129155-61090	2	7
129155-61450	2	34
129155-61460	2	34 -2
	3	88
129470-61450	2	34 -1
129795-61470	3	16
135210-61090	2	8
	3	8 -1 69
137600-53900	1	63
144626-51090	1	10
144626-51940	1	60
144626-51950	1	61
	3	61 -1 46
144626-61781	3	46
	3	101
148616-61650	2	50
	3	40
152623-51560	2	98
152623-51720	1	51
22117-050000	2	60
	3	49
	3	103
22117-080000	3	104
22137-080000	2	61
	3	61 -1 99
	3	50
22190-060000	1	64
22190-080002	2	73
	3	105
22190-120002	2	74
	3	51
	3	106
	3	107
22190-160002	2	75
	3	52
22217-050000	2	62
	3	108
22217-060000	1	65
	2	63
	3	63 -1

Parts No. Index

Parts No.	Fig. No.	Ref. No.
22217-080000	3	53
22217-100000	2	64
22242-000200	1	76
22272-000040	2	46 F
		65
		65 -1
	3	31
		54
		109
22272-000060	3	55
		110
22272-000080	2	66
	3	56
		57
22322-030220	3	13
22351-020008	1	77
22351-020012	1	78
22351-030016	2	56
		67
	3	45
		58
22351-030025	2	68
	3	111
22351-050020	2	69
	3	112
22360-050000	2	70
22372-050000	2	70 -1
	3	113
22417-120120	2	70 A
	3	5
22451-100000	2	71
22453-060000	2	71 -1
	3	114
22492-060262	2	72
22492-060362	2	72 -1
	3	35
23414-120016	2	100
23414-220029	1	67
23887-120002	2	90
	3	115
23887-160002	2	76
	3	36
24311-000110	2	77
24341-000080	2	78
	3	37
24341-000260	1	68
24341-000500	1	69
24352-010160	1	70
26106-060122	2	46
	3	32

Parts No.	Fig. No.	Ref. No.
26106-060122	3	116
26106-060182	1	71
26106-060202	1	72
26106-060222	2	79
		79 -1
	3	117
26106-060352	2	80
	3	118
26106-060402	3	119
26116-050102	2	81
26116-050302	2	81 -1
	3	59
26116-050306	2	92
	3	60
26116-060256	2	82
26116-060356	2	83
26216-060162	1	73
26366-080002	1	74
26376-120002	2	84
	3	61
26606-100002	2	85 -1
26666-080002	2	98 -1
26667-080002	2	98 -2
	3	62
26716-060002	1	75
26736-100002	2	85
26756-080002	2	86 -1
		87 -1
	3	38
		63
26757-080002	2	86
		87
26777-120002	2	88
	3	39
26911-080322	2	89
	3	64
719183-51300	1	1 B
719187-51300	1	1 -1
		1 A
719192-51300	1	1

Parts No.	Fig. No.	Ref. No.
-----------	----------	----------

Parts No.	Fig. No.	Ref. No.
-----------	----------	----------