

0CI00-M25300EN

Contents

Fig. No. Fig. Name

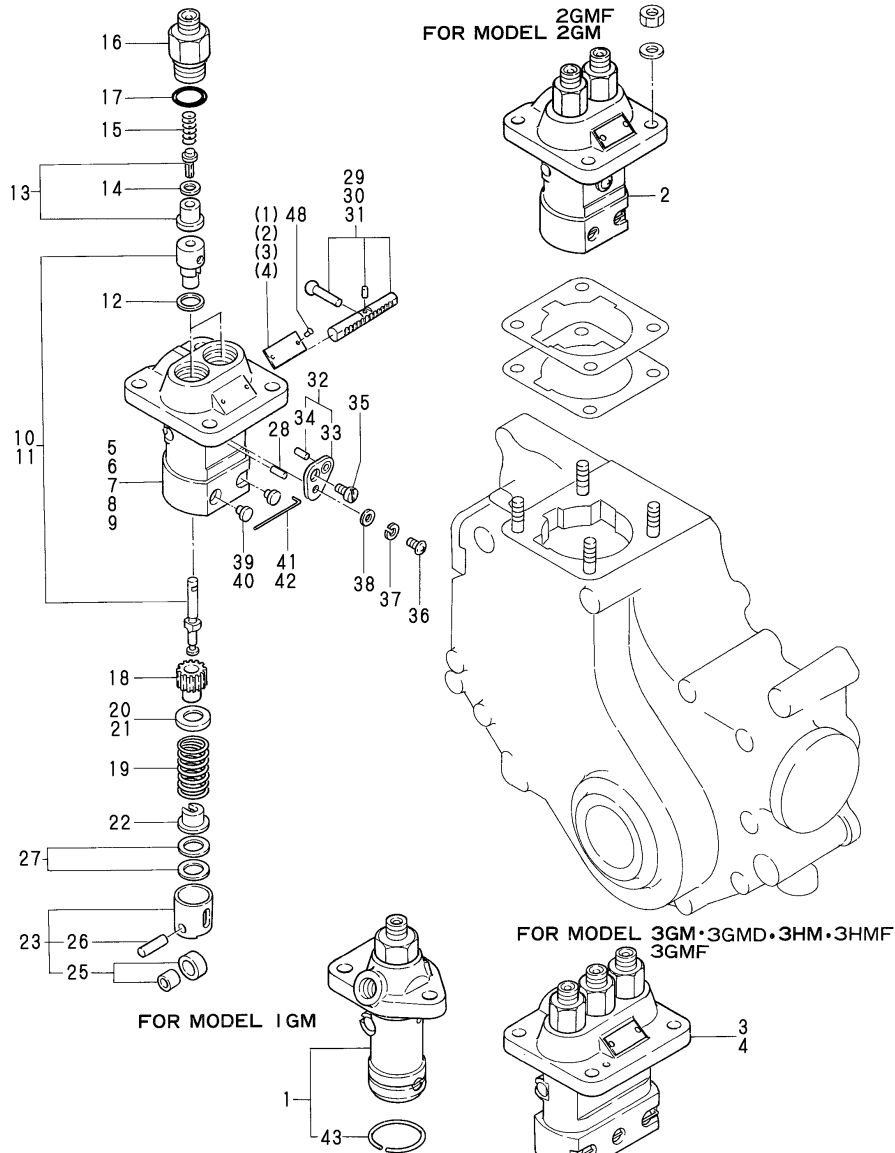
728170-51700,728170-51101

1. FUEL INJECTION PUMP

2. GOVERNOR DRIVING

Fig. No. Fig. Name

Fig.1. FUEL INJECTION PUMP



(A)=728170-51700
(B)=728170-51101
(C)=

(D)=
(E)=
(F)=

| No. | Lev. | Parts No. | Description | Q'ty | | | | | | I | R |
|---|------|--------------|----------------------|------|-----|-----|-----|-----|-----|---|---|
| | | | | (A) | (B) | (C) | (D) | (E) | (F) | | |
| 1 | 1 | 728170-51700 | PUMP ASSY, INJECTION | 1 | 1 | | | | | | |
| 1-1 | 1 | 728170-51101 | PUMP ASSY, INJECTION | 1 | 1 | | | | | | N |
| (A=E/#02350) | | | | | | | | | | | |
| 5 | 2 | 128170-51010 | BODY, FUEL PUMP | 1 | 1 | | | | | | |
| 10 | 2 | 128170-51100 | PLUNGER ASSY | 1 | 1 | | | | | | |
| 10-1 | 2 | 128170-51101 | PLUNGER ASSY | 1 | 1 | | | | | | S |
| (A=E/#02350) (B=E/#02252) (C=*1981.07) (D=E/#01615) | | | | | | | | | | | |
| 12 | 2 | 124950-51270 | GASKET | 1 | 1 | | | | | | |
| 13 | 2 | 124060-51300 | VALVE ASSY, DELIVERY | 1 | 1 | | | | | | |
| 13-1 | 2 | 128170-51300 | VALVE ASSY, DELIVERY | 1 | 1 | | | | | | S |
| (A=E/#02350) (B=E/#02252) (C=*1981.07) (D=E/#01615) | | | | | | | | | | | |
| 14 | 2 | 124550-51350 | GASKET, DELIVERY | 1 | 1 | | | | | | |
| 15 | 2 | 124550-51320 | SPRING, DELIVERY | 1 | 1 | | | | | | |
| 16 | 2 | 124550-51341 | HOLDER, DELIVERY L43 | 1 | 1 | | | | | | |
| 17 | 2 | 124550-51370 | O-RING | 1 | 1 | | | | | | |
| 18 | 2 | 124950-51510 | PINION | 1 | 1 | | | | | | |
| 19 | 2 | 124950-51190 | SPRING, PLUNGER | 1 | 1 | | | | | | |
| 20 | 2 | 124950-51170 | RETAINER, SPRING A | 1 | 1 | | | | | | |
| 22 | 2 | 174307-51181 | RETAINER, SPRING B | 1 | 1 | | | | | | |
| 23 | 2 | 724550-51520 | GUIDE, PLUNGER | 1 | 1 | | | | | | |
| 25 | 3 | 711100-51540 | ROLLER ASSY | 1 | 1 | | | | | | |
| 26 | 3 | 174100-54120 | PIN | 1 | 1 | | | | | | |
| 27 | 2 | 174307-51700 | SHIM SET | 1 | 1 | | | | | | |
| 28 | 2 | 103854-51251 | PIN, PLUNGER | 1 | 1 | | | | | | |
| 29 | 2 | 128170-51500 | RACK ASSY, CONTROL | 1 | 1 | | | | | | |
| 39 | 2 | 104271-51450 | PIECE, GUIDE | 1 | 1 | | | | | | |
| 43 | 2 | 104271-51460 | CIRCLIP | 1 | 1 | | | | | | |
| 48 | 2 | 124220-51890 | RIVET | 2 | 2 | | | | | | |

REFER.No.10-1, 11-1, 13-1, 13-2

1. When replacing the plunger (10-1, 11-1) or the valve (13-1, 13-2) replace all the quantities required per engine simultaneously with new ones.

2. New type pump assembly has been supplied since 1981, July.

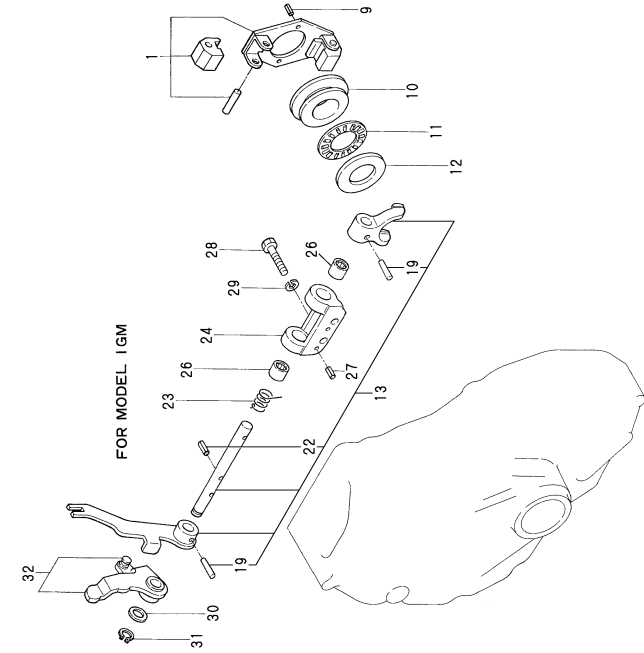
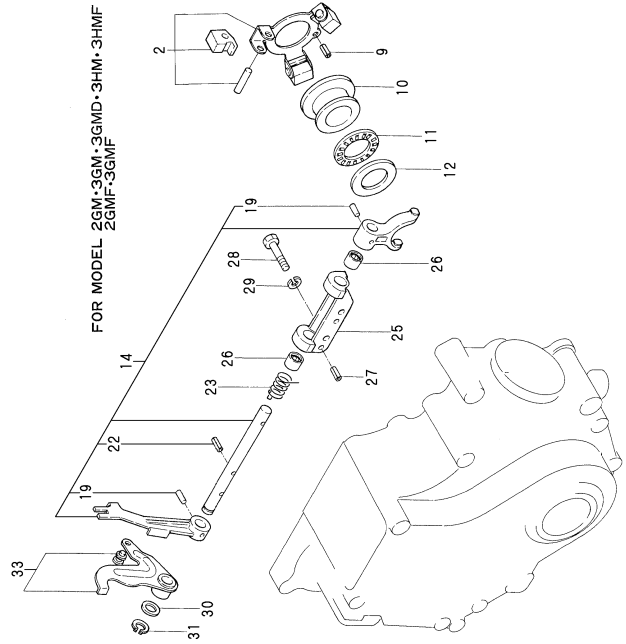
3. Applicable engine numbers: 1GM 02350~, 2GM 02252~, 3GMD 01615~, 3HM 00991~, 3HMF 00023~)

Remarks

(A)(B)=1GM.

N:Old $\begin{matrix} \leftarrow \text{Yes} \\ \text{No} \end{matrix}$ New, Q:Old $\begin{matrix} \leftarrow \text{No} \\ \text{Yes} \end{matrix}$ New, R:Old $\begin{matrix} \leftarrow \text{Yes} \\ \text{No} \end{matrix}$ New, S:Old $\begin{matrix} \leftarrow \text{No} \\ \text{Yes} \end{matrix}$ New, W:Add, Z:Discontinued, F:Interchangeable by set, K:Q'ty Change

Fig.2. GOVERNOR DRIVING



(A)=1GM
(B)=2GM(F)
(C)=3GM(F)
(D)=3GMD
(E)=3HM
(F)=3HMF

| No. | Lev. | Parts No. | Description | Q'ty | | | | | | I | R |
|-----|------|--------------|----------------------|------|-----|-----|-----|-----|-----|---|---|
| | | | | (A) | (B) | (C) | (D) | (E) | (F) | | |
| 1 | 1 | 128170-61100 | WEIGHT ASSY,GOVERNOR | 1 | | | | | | | |
| 2 | 1 | 721575-61520 | SUPPORT ASSY, WEIGHT | | 1 | 1 | 1 | 1 | 1 | 1 | |
| 9 | 1 | 22351-040008 | PIN, SPRING 4.0X 8 | 2 | 1 | 1 | 1 | 1 | 1 | 1 | |
| 10 | 1 | 121000-61600 | SLEEVE, GOVERNOR | 1 | 1 | 1 | 1 | 1 | 1 | 1 | |
| 11 | 1 | 121575-61710 | BEARING, FNTA-2542 | 1 | 1 | 1 | 1 | 1 | 1 | 1 | |
| 12 | 1 | 121575-61720 | COLLAR | 1 | 1 | 1 | 1 | 1 | 1 | 1 | |
| 13 | 1 | 728170-61560 | LEVER ASSY, GOVERNOR | 1 | | | | | | | |
| 14 | 1 | 721500-61560 | LEVER ASSY, GOVERNOR | | 1 | 1 | 1 | 1 | 1 | 1 | |
| 19 | 2 | 22322-030200 | PIN, TAPER 3X20 | 2 | 2 | 2 | 2 | 2 | 2 | 2 | |
| 22 | 2 | 22351-030012 | PIN, SPRING 3.0X12 | 1 | 1 | 1 | 1 | 1 | 1 | 1 | |
| 23 | 1 | 121575-66310 | SPRING, STARTING | 1 | 1 | 1 | 1 | 1 | 1 | 1 | |
| 24 | 1 | 128170-61620 | SUPPORT | 1 | | | | | | | |
| 25 | 1 | 121575-61620 | SUPPORT | | 1 | 1 | 1 | 1 | 1 | 1 | |
| 26 | 1 | 122410-61650 | BEARING, FJ-1010W | 2 | 2 | 2 | 2 | 2 | 2 | 2 | |
| 27 | 1 | 22351-040008 | PIN, SPRING 4.0X 8 | 2 | 2 | 2 | 2 | 2 | 2 | 2 | |
| 28 | 1 | 26116-060302 | BOLT, M6X 30 PLATED | 2 | 2 | 2 | 2 | 2 | 2 | 2 | |
| 29 | 1 | 22217-060000 | WASHER, SPRING 6 | 2 | 2 | 2 | 2 | 2 | 2 | 2 | |
| 30 | 1 | 104211-42130 | PIECE, DISTANCE | 1 | 1 | 1 | 1 | 1 | 1 | 1 | |
| 31 | 1 | 22242-000100 | RING, 10 | 1 | 1 | 1 | 1 | 1 | 1 | 1 | |
| 32 | 1 | 128170-61160 | LEVER ASSY, CONTROL | 1 | | | | | | | |
| 33 | 1 | 121575-61160 | LEVER ASSY, CONTROL | | 1 | 1 | 1 | 1 | 1 | 1 | |

Parts No. Index

| Parts No. | Fig. No. | Ref. No. |
|--------------|----------|----------|
| 103854-51251 | 1 | 28 |
| 104211-42130 | 2 | 30 |
| 104271-51450 | 1 | 39 |
| 104271-51460 | 1 | 43 |
| 121000-61600 | 2 | 10 |
| 121575-61160 | 2 | 33 |
| 121575-61620 | 2 | 25 |
| 121575-61710 | 2 | 11 |
| 121575-61720 | 2 | 12 |
| 121575-66310 | 2 | 23 |
| 122410-61650 | 2 | 26 |
| 124060-51300 | 1 | 13 |
| 124220-51890 | 1 | 48 |
| 124550-51320 | 1 | 15 |
| 124550-51341 | 1 | 16 |
| 124550-51350 | 1 | 14 |
| 124550-51370 | 1 | 17 |
| 124950-51170 | 1 | 20 |
| 124950-51190 | 1 | 19 |
| 124950-51270 | 1 | 12 |
| 124950-51510 | 1 | 18 |
| 128170-51010 | 1 | 5 |
| 128170-51100 | 1 | 10 |
| 128170-51101 | 1 | 10 -1 |
| 128170-51300 | 1 | 13 -1 |
| 128170-51500 | 1 | 29 |
| 128170-61100 | 2 | 1 |
| 128170-61160 | 2 | 32 |
| 128170-61620 | 2 | 24 |
| 174100-54120 | 1 | 26 |
| 174307-51181 | 1 | 22 |
| 174307-51700 | 1 | 27 |
| 22217-060000 | 2 | 29 |
| 22242-000100 | 2 | 31 |
| 22322-030200 | 2 | 19 |
| 22351-030012 | 2 | 22 |
| 22351-040008 | 2 | 9 |
| | | 27 |
| 26116-060302 | 2 | 28 |
| 711100-51540 | 1 | 25 |
| 721500-61560 | 2 | 14 |
| 721575-61520 | 2 | 2 |
| 724550-51520 | 1 | 23 |
| 728170-51101 | 1 | 1 -1 |
| 728170-51700 | 1 | 1 |
| 728170-61560 | 2 | 13 |

| Parts No. | Fig. No. | Ref. No. |
|-----------|----------|----------|
|-----------|----------|----------|

| Parts No. | Fig. No. | Ref. No. |
|-----------|----------|----------|
|-----------|----------|----------|

| Parts No. | Fig. No. | Ref. No. |
|-----------|----------|----------|
|-----------|----------|----------|